

LOCK-N-LOAD® AP™ ACCESSORIES TOOL CADDY

The Lock-N-Load® AP™ Accessories Tool Caddy is designed to keep necessary tools for reloading on an AP close by and accessible. The tool holder bracket also includes one extra hole for an extra hex key or screwdriver, if needed.

To begin, the press adapter bracket is mounted to the back side of the press with the same threaded holes used by the Hornady Lock-N-Load® Case Feeder. Depending on whether or not you have a case feeder, you may use either the $\frac{3}{8}$ " or 1 $\frac{1}{2}$ " screws supplied with the kit. Tighten snugly, but do not over-tighten. If using a case feeder, you will also need to remove the Pivot Body mounting screw, and reinstall it through the hole in the adapter bracket.

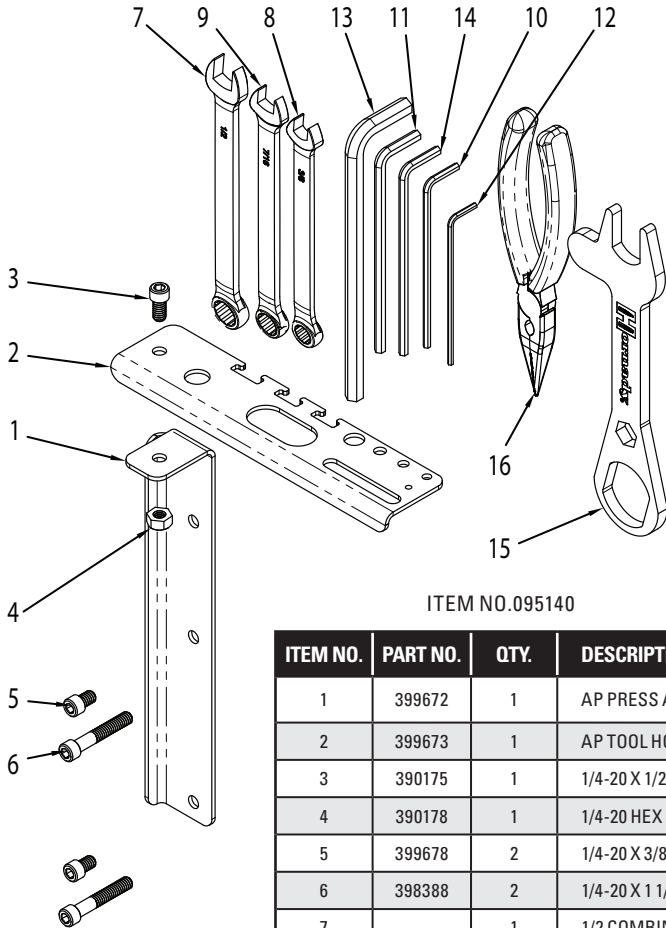
Once the adapter bracket is installed, attach the tool holder bracket with the supplied $\frac{1}{4}$ -20 x $\frac{1}{2}$ bolt and nut. The bracket may be installed to the right or left of the press, and may be pivoted forward or backward depending on your preference. Tighten the bolt snugly. You are now ready to hang the supplied tools and begin reloading.



Hornady[®]
Accurate. Deadly. Dependable.

P.O. Box 1848, Grand Island, Nebraska 68802-1848
308-382-1390 • 800-338-3220 • Fax: 308-382-5761
www.hornady.com • Hornady.com/contact_us

PARTS LIST



ITEM NO.095140

ITEM NO.	PART NO.	QTY.	DESCRIPTION
1	399672	1	AP PRESS ADAPTER BRACKET
2	399673	1	AP TOOL HOLDER BRACKET
3	390175	1	1/4-20 X 1/2 SHCS
4	390178	1	1/4-20 HEX NUT
5	399678	2	1/4-20 X 3/8 SHCS
6	398388	2	1/4-20 X 1 1/2 SHCS
7	-	1	1/2 COMBINATION WRENCH
8	-	1	3/8 COMBINATION WRENCH
9	-	1	7/16 COMBINATION WRENCH
10	-	1	1/8 HEX WRENCH
11	-	1	3/16 HEX WRENCH
12	-	1	3/32 HEX WRENCH
13	-	1	5/16 HEX WRENCH
14	-	1	5/32 HEX WRENCH
15	396495	1	DELUXE DIE WRENCH
16		1	NEEDLE NOSE PLIERS



Hornady

P.O. Box 1848, Grand Island,
Nebraska 68802-1848
308-382-1390 • 800-338-3220
Fax: 308-382-5761
www.hornady.com
Hornady.com/contact_us