

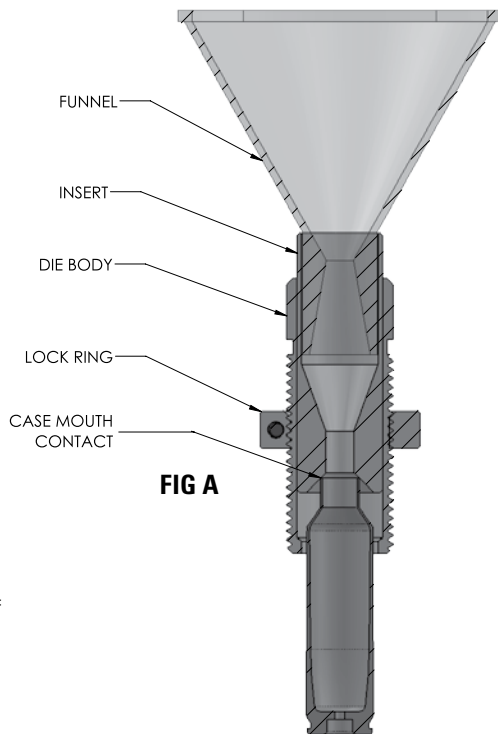
LOCK-N-LOAD® AP™ POWDER FUNNEL DIE

The Lock-N-Load® AP™ Powder Funnel Die is designed to load precision cartridges on an AP press by allowing the use of a powder scale to weigh individual powder charges. Most common rifle and pistol cases are compatible, ranging from .22 to .50 caliber.

SETUP:

To begin, select the correct insert for the caliber you're reloading. Always use the largest insert possible. The large bushing will accommodate cases as small as 7mm, the small bushing as small as .22 caliber. Smaller cases, such as .204, may be used, but caution should be taken to avoid powder spillage. Place the insert inside the die body with the large cavity facing up.

Thread the die body into the station on your press where you wish to add powder. With an empty case in the shell plate underneath this station, raise it into the die body until the press is at the top of its stroke. If the case causes the insert to raise slightly, but not so high that it risks being pushed completely out the top of the die body, the die is set correctly and may be locked in place. If not, adjust the die up or down accordingly. The amount the insert raises out of the die body is not critical as long as the case mouth positively contacts the bottom of the insert. (FIG A Cutaway of Die Assembly)

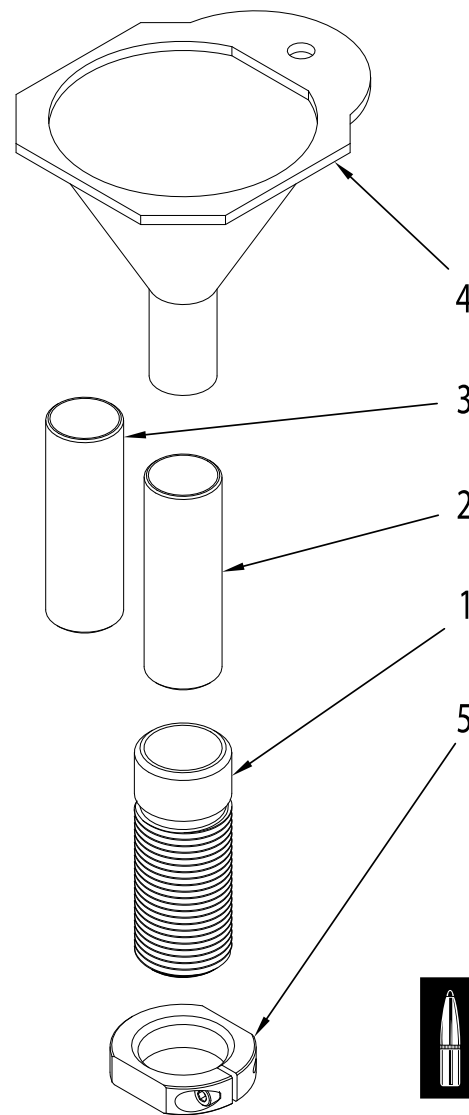


OPERATION:

Once the die is locked in position, place the funnel into the top of the insert, and begin reloading. To drop a powder charge, make sure the press is at the top of its stroke, stop the press, and dump powder. Make sure all powder has funneled into the case before lowering the ram again. If powder bridges (gets stuck) in the funnel, a light tap is all that should be necessary to loosen the powder.

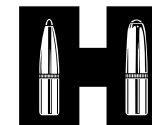
WARNING: While reloading, always be conscious of which cases are charged, and be sure the correct powder charge is funneled completely into each case. If you are ever in doubt about how much powder is in a case, remove the case from the press and weigh its powder charge again.

PARTS LIST



ITEM NO. 095360

ITEM NO.	PART NO.	QTY.	DESCRIPTION
1	399674	1	POWDER FUNNEL DIE BODY
2	399675	1	SM POWDER FUNNEL DIE INSERT
3	399676	1	LG POWDER FUNNEL DIE INSERT
4	586050	1	22-45 CAL POWDER FUNNEL
5	044000	1	SURE-LOC LOCK RING



Hornady
Accurate. Deadly. Dependable.

P.O. Box 1848, Grand Island, Nebraska 68802-1848
308-382-1390 • 800-338-3220 • Fax: 308-382-5761
www.hornady.com • Hornady.com/contact_us