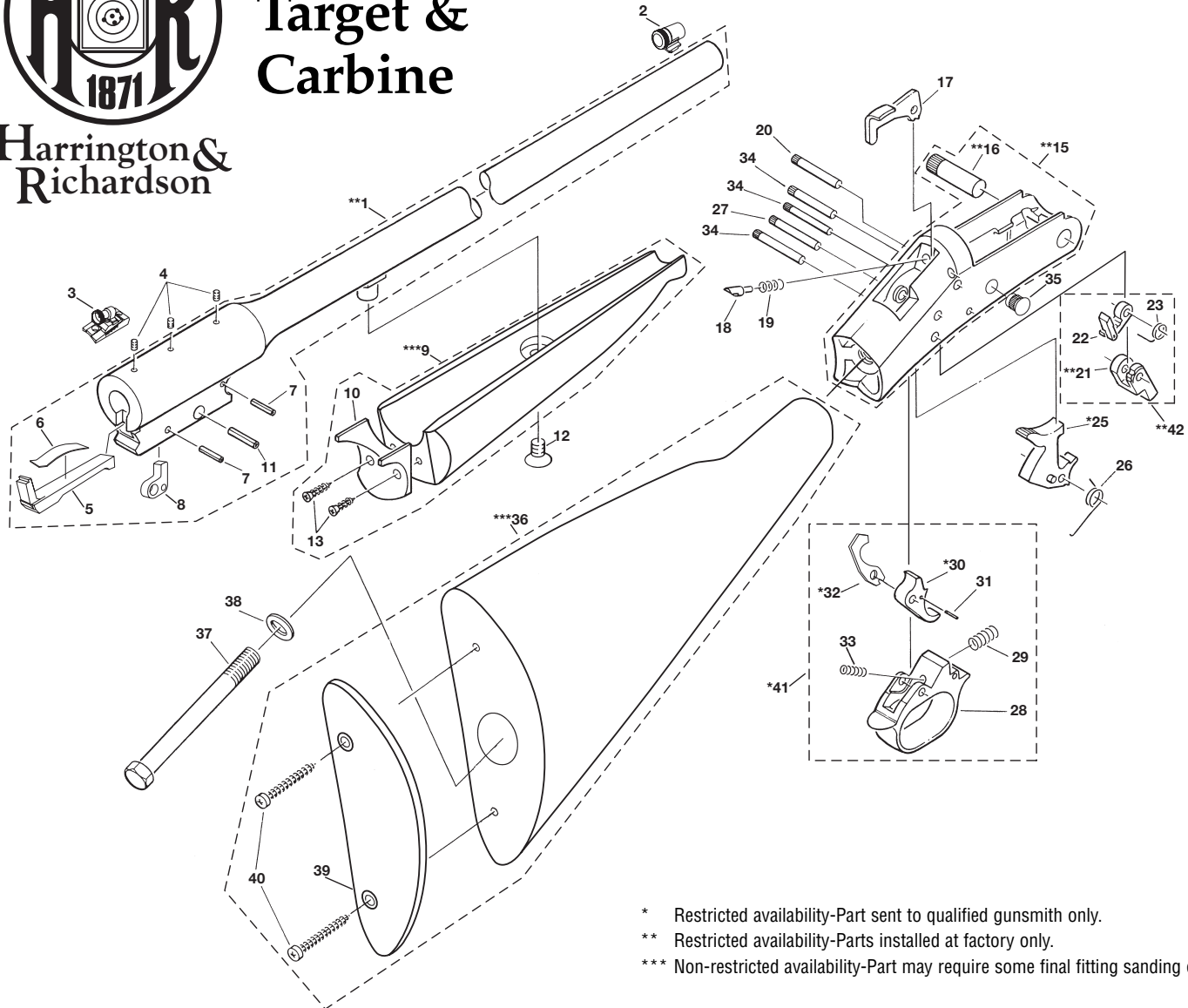




Buffalo Classic[®] Target & Carbine

Harrington &
Richardson



- * Restricted availability-Part sent to qualified gunsmith only.
- ** Restricted availability-Parts installed at factory only.
- *** Non-restricted availability-Part may require some final fitting sanding or filing.

ILL. NO.	PART NAME
**1	.BARREL
2	.SIGHT-FRONT
3	.REAR SIGHT
4	.SCREW-DELRIN FILLER
5	.EXTRACTOR
6	.EXTRACTOR SPRING
7	.PIN EJECTOR LATCH
8	.EXTRACTOR CAM
***9	.FOREND
10	.SPACER-FOREND
11	.EJECTOR STOP PIN
12	.SCREW-FRD.
13	.SCREW - FOREND SPCR.
14	.N/A
**15	.FRAME
**16	.JOINT PIN
17	.RELEASE LEVER
18	.FIRING PIN
19	.SPRING-FIRING PIN
20	.RELEASE LEVER PIN
**21	.BARREL CATCH

ILL. NO.	PART NAME
22	.STRIKER ASS'Y.
23	.LIFTER SPRING
24	.N/A
*25	.HAMMER ASS'Y.
26	.HAMMER SPRING
27	.TRIGGER GRD. PIN
28	.TRIGGER GRD.
29	.BARREL CATCH SPRING
*30	.TRIGGER
31	.TRIG. EXTEN PIN
*32	.TRIG EXTENSION
33	.SPRING TRIGGER
34	.HMR, TRIG & CTCH PIN
35	.VIEW HOLE PIN
***36	.STOCK
37	.SCREW TANG
38	.WASHER TANG SCREW
39	.BUTT PLATE
40	.SCREW BUTT PLATE
*41	.TRIGGER GUARD ASS'Y.
**42	.BRL. CATCH STRIKER ASS'Y.

ILL. NO.	PART NAME	BUFFALO CLASSIC RIFLE CR-1871	TARGET MODEL RIFLE CR-3855	CARBINE 45 LONG COLT CR-45-LC
**1	BARREL	R00538	R02658	R03762
2	SIGHT-FRONT	R03020	R03020	R03773
3	REAR SIGHT	R03019	R03019	R03774
4	SCREW-DELTRIN FILLER	R03102	R03102	R03102
5	EXTRACTOR	L03690	R03694	R03692
6	EXTRACTOR SPRING	R03445	R03445	R03445
7	PIN EJECTOR LATCH	S01676	S01676	S01676
8	EXTRACTOR CAM	R03351	R03351	R03351
***9	FOREND	R03270	R03270	R03944
10	SPACER-FOREND	S01201	S01201	S01201
11	EJECTOR STOP PIN	S01677	S01677	S01677
12	SCREW FRD	S01279	S01279	S01279
13	SCREW-FOREND SPCR.	S00146	S00146	S00146
14	N/A	N/A	N/A	N/A
**15	FRAME	R02331	R02331	R02331
**16	JOINT PIN	S01207	S01207	S01207
17	RELEASE LEVER	S01203	S01203	S01203
18	FIRING PIN	R00266	R00266	R00266
19	SPRING-FIRING PIN	S01697	S01697	S01697
20	RELEASE LEVER PIN	S02161	S02161	S02161
**21	BARREL CATCH	S03643	S03643	S03643
22	STRIKER ASS'Y.	S02043	S02043	S02043
23	LIFTER SPRING	S01693	S01693	S01693
24	N/A	N/A	N/A	N/A
*25	HAMMER ASS'Y.	S01202	S01202	S01202
26	HAMMER SPRING	S01691	S01691	S01691
27	TRIGGER GRD. PIN	S01670	S01670	S01670
28	TRIGGER GRD.	S01204	S01204	S01204
29	BARREL CATCH SPRING	S04006	S04006	S04006
*30	TRIGGER	S01205	S01205	S01205
31	TRIG EXTEN PIN	S01191	S01191	S01191
*32	TRIG EXTENSION	S01221	S01221	S01221
33	SPRING TRIGGER	S04005	S04005	S04005
34	HMR, TRIG & CTCH PIN	S02160	S02160	S02160
35	VIEW HOLE PIN	S03636	S03636	S03636
***36	STOCK	R03271	R03271	R03271
37	SCREW TANG	S01723	S01723	S01723
38	WASHER TANG SCREW	S01755	S01755	S01755
39	BUTT PLATE	R03229	R03229	R03229
40	SCREW BUTT PLATE	S01722	S01722	S01722
*41	TRIGGER GUARD ASS'Y.	S02197	S02197	S02197
**42	BRL CATCH STRIKER ASS'Y.	S02042	S02042	S02042



Harrington &
Richardson

Manufactured by: H&R 1871, LLC • 60 Industrial Rowe, Gardner, MA 01440 U.S.A. • www.hr1871.com