

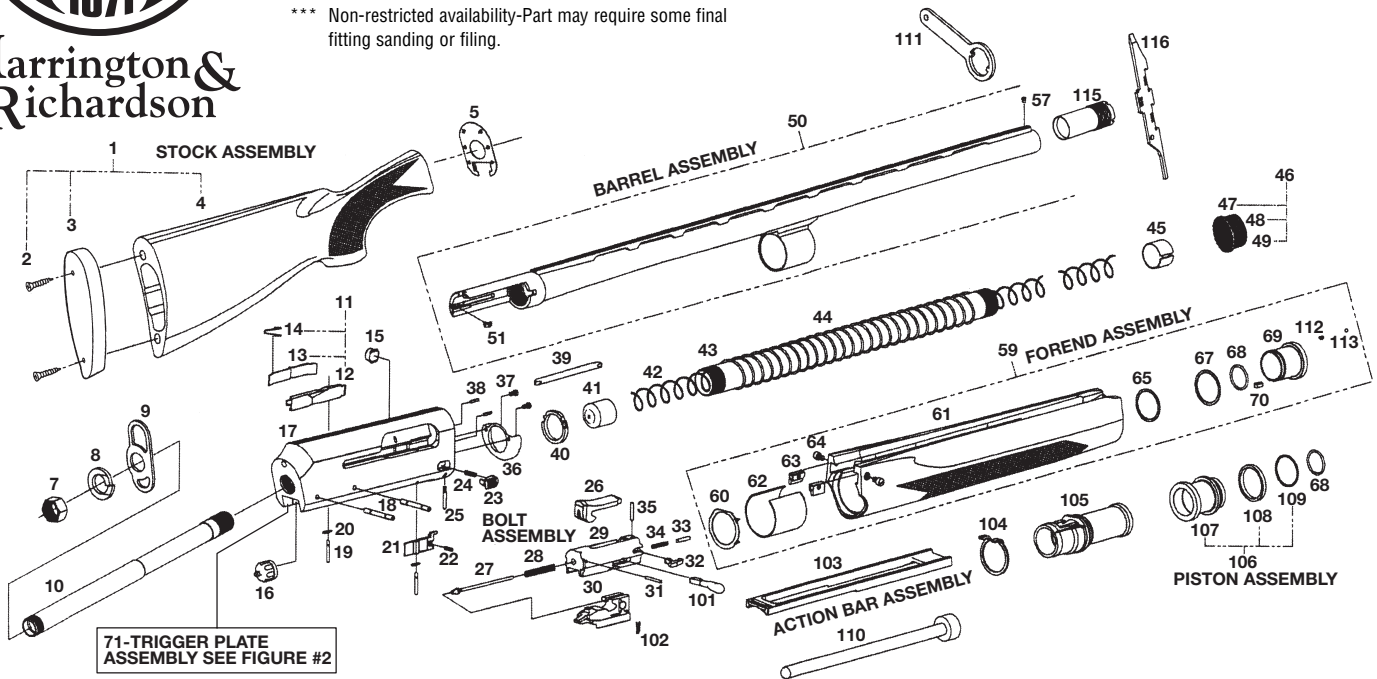


**Harrington & Richardson**

# Excell Auto™ Shotgun

Autoloading • 12 Gauge • 3" Chamber

- \* Restricted availability-Part sent to qualified gunsmith only.
- \*\* Restricted availability-Parts installed at factory only.
- \*\*\* Non-restricted availability-Part may require some final fitting sanding or filing.



ILL. NO.	PART NAME	ILL. NO.	PART NAME	ILL. NO.	PART NAME
1	STOCK ASSEMBLY	42	MAGAZINE SPRING	**83	HAMMER (FIG. #2)
2	BUTT PLATE SCREW	43	MAGAZINE TUBE	84	HAMMER SPRING FOLLOWER (FIG. #2)
3	RECOIL PAD	44	ACTION SPRING	85	HAMMER SPRING (FIG. #2)
4	STOCK	45	MAGAZINE SPRING RETAINER	86	HAMMER PIN (FIG. #2)
5	STOCK BUFFER	46	CYLINDER RUBBER GUIDE	*87	CARRIER (FIG. #2)
6	STOCK SWIVEL (SYNTHETIC ONLY-NOT SHOWN)	47	MAGAZINE CAP	88	BREECH BLACK LATCH (FIG. #2)
7	STOCK PLUG	48	HANGER SCREW	89	BREECH BLACK LATCH PIN (FIG. #2)
8	STOCK ELASTIC WASHER	49	HANGER RING	90	BREECH BLACK LATCH INTERNAL PIN (FIG. #2)
9	STOCK INTERNAL BUFFER	50	BARREL ASSEMBLY	91	BREECH BLACK LATCH SPRING FOLLOWER (FIG. #2)
10	STOCK FASTENING TUBE	51	EJECTOR	*92	CARRIER MAIN SPRING (FIG. #2)
11	CARRIER LATCH ASSEMBLY	52	N/A	*93	CARRIER AUXILIARY SPRING (FIG. #2)
12	CARRIER LATCH	53	N/A	94	TRIGGER GUARD PIN BUSHING (FIG. #2)
13	AUXILIARY MAGAZINE LATCH	54	N/A	95	TRIGGER GUARD PIN BUSHING SPRING (FIG. #2)
14	CARRIER LATCH SPRING	55	N/A	**96	HAND SAFETY SPRING (FIG. #2)
15	CARRIER LATCH BUTTON	56	N/A	**97	HAND SAFETY SPRING FOLLOWER (FIG. #2)
16	RECEIVER SHOCK ABSORBER	57	FRONT SIGHT	**98	HAND SAFETY SPRING RETAINING PIN (FIG. #2)
**17	RECEIVER	58	N/A	**99	AUTOMATIC SAFETY LEVER (FIG. #2)
18	TRIGGER PLATE PIN	59	FOREND ASSEMBLY	**100	AUTOMATIC SAFETY SPRING (FIG. #2)
19	LATCH PIN	60	FOREND INTERNAL BUFFER	101	OPERATING HANDLE
20	LATCH PIN RETAINING SPRING	61	FOREND	102	OPERATING HANDLE SPRING
21	MAGAZINE SHELL LATCH	62	FOREND PLASTIC BED	103	ACTION BAR
22	MAGAZINE SHELL LATCH SPRING	63	FOREND CENTERING BED	104	ACTION BAR RETAINING SPRING
23	MAGAZINE CUT OFF BUTTON	64	FOREND CENTERING SCREW	105	ACTION BAR SUPPORT
24	MAGAZINE CUT OFF SPRING	65	FOREND FRONT SUPPORT RETAINING SCREW	106	PISTON ASSEMBLY
25	MAGAZINE CUT OFF BUTTON PIN	66	N/A	107	PISTON
**26	LOCKING BLOCK	67	BEARING WASHER	108	PISTON COMPRESSION SPRING
**27	FIRING PIN	68	RUBBER RING	109	COMPRESSION RING RETAINING SPRING
28	FIRING PIN SPRING	69	FOREND FRONT SUPPORT	110	PLUG
29	BOLT ASSEMBLY	70	KEY	111	N/A
**30	BOLT SLIDE	71	TRIGGER PLATE ASSEMBLY (FIG. #2)	112	FRONT SUPPORT SPRING
31	FIRING PIN SPRING STOP	**72	TRIGGER PLATE (FIG. #2)	113	FRONT SUPPORT BALL
32	EXTRACTOR	**73	HAND SAFETY (FIG. #2)	114	N/A
33	EXTRACTOR PLUNGER	74	TRIGGER ASSEMBLY (FIG. #2)	115	HIDDEN CHOKE
34	EXTRACTOR SPRING	75	TRIGGER (FIG. #2)	116	CHOKE TUBE KEY
35	EXTRACTOR PIN	76	TRIGGER ARM (FIG. #2)		
36	FOREND REAR SUPPORT	77	TRIGGER ARM PIN (FIG. #2)		
37	FOREND SUPPORT SCREW	78	TRIGGER PIN (FIG. #2)		
38	FOREND DOWEL	79	SEAR SPRING (FIG. #2)		
39	LOCKING BLACK SCREW	**80	SEAR (FIG. #2)		
40	SUPPORT SHOCK ABSORBER	81	SEAR SPRING PIN (FIG. #2)		
41	MAGAZINE FOLLOWER	82	SEAR PIN (FIG. #2)		

ILL. NO.	PART NAME	SYNTHETIC SA1-128 12 GAUGE	WALNUT SA1-129 20 GAUGE	WATERFOWL SA1-130 12 GAUGE	TURKEY SA1-131 12 GAUGE	COMBO SA1-132 12 GAUGE
1	STOCK ASSEMBLY	S03580	S03580	S03580	S03580	S03580
2	BUTT PLATE SCREW	S03957	S03957	S03957	S03957	S03957
3	RECOIL PAD	S03980	S03980	S03980	S03980	S03980
4	STOCK	S03981	S03981	S03981	S03981	S03981
5	STOCK BUFFER	S03495	S03495	S03495	S03495	S03495
6	STOCK SWIVEL (SYNTHETIC ONLY)	S03496	S03496	S03496	S03496	S03496
7	STOCK PLUG	S03497	S03497	S03497	S03497	S03497
8	STOCK ELASTIC WASHER	S03498	S03498	S03498	S03498	S03498
9	STOCK INTERNAL BUFFER	S03499	S03499	S03499	S03499	S03499
10	STOCK FASTENING TUBE	S03500	S03500	S03500	S03500	S03500
11	CARRIER LATCH ASSEMBLY	S03982	S03982	S03982	S03982	S03982
12	CARRIER LATCH	S03501	S03501	S03501	S03501	S03501
13	AUXILIARY MAGAZINE LATCH	S03502	S03502	S03502	S03502	S03502
14	CARRIER LATCH SPRING	S03503	S03503	S03503	S03503	S03503
15	CARRIER LATCH BUTTON	S03504	S03504	S03504	S03504	S03504
16	RECEIVER SHOCK ABSORBER	S03505	S03505	S03505	S03505	S03505
**17	RECEIVER	S03983	S03983	S03983	S03983	S03983
18	TRIGGER PLATE PIN	S03506	S03506	S03506	S03506	S03506
19	LATCH PIN	S03507	S03507	S03507	S03507	S03507
20	LATCH PIN RETAINING SPRING	S03508	S03508	S03508	S03508	S03508
21	MAGAZINE SHELL LATCH	S03509	S03509	S03509	S03509	S03509
22	MAGAZINE SHELL LATCH SPRING	S03510	S03510	S03510	S03510	S03510
23	MAGAZINE CUT OFF BUTTON	S03511	S03511	S03511	S03511	S03511
24	MAGAZINE CUT OFF SPRING	S03512	S03512	S03512	S03512	S03512
25	MAGAZINE CUT OFF BUTTON PIN	S03513	S03513	S03513	S03513	S03513
**26	LOCKING BLOCK	S03514	S03514	S03514	S03514	S03514
**27	FIRING PIN	S03515	S03515	S03515	S03515	S03515
28	FIRING PIN SPRING	S03516	S03516	S03516	S03516	S03516
29	BOLT ASSEMBLY	S03517	S03517	S03517	S03517	S03517
**30	BOLT SLIDE	S03518	S03518	S03518	S03518	S03518
31	FIRING PIN SPRING STOP	S03519	S03519	S03519	S03519	S03519
32	EXTRACTOR	S03520	S03520	S03520	S03520	S03520
33	EXTRACTOR PLUNGER	S03521	S03521	S03521	S03521	S03521
34	EXTRACTOR SPRING	S03522	S03522	S03522	S03522	S03522
35	EXTRACTOR PIN	S03523	S03523	S03523	S03523	S03523
36	FOREND REAR SUPPORT	S03984	S03984	S03984	S03984	S03984
37	FOREND SUPPORT SCREW	S03524	S03524	S03524	S03524	S03524
38	FOREND DOWEL	S03985	S03985	S03985	S03985	S03985
39	LOCKING BLACK SHOE	S03986	S03986	S03986	S03986	S03986
40	SUPPORT SHOCK ABSORBER	S03525	S03525	S03525	S03525	S03525
41	MAGAZINE FOLLOWER	S03526	S03526	S03526	S03526	S03526
42	MAGAZINE SPRING	S03527	S03527	S03527	S03527	S03527
43	MAGAZINE TUBE	S03528	S03528	S03528	S03528	S03528
44	ACTION SPRING	S03529	S03529	S03529	S03529	S03529
45	MAGAZINE SPRING RETAINER	S03530	S03530	S03530	S03530	S03530
46	CYLINDER RUBBER GUIDE	S03987	S03987	S03987	S03987	S03987
47	MAGAZINE CAP	S03531	S03531	S03531	S03531	S03531
48	HANGER SCREW	S03988	S03988	S03988	S03988	S03988
49	HANGER RING	S40004	S40004	S40004	S40004	S40004
50	BARREL ASSEMBLY-RIB W/CHOKES	S03581	S03581	S03581	S03581	S03581
50	BARREL ASSEMBLY-RIFLED SLUG	S03582	S03582	S03582	S03582	S03582
51	EJECTOR	S03532	S03532	S03532	S03532	S03532
52	N/A	N/A	N/A	N/A	N/A	N/A
53	N/A	N/A	N/A	N/A	N/A	N/A
54	N/A	N/A	N/A	N/A	N/A	N/A
55	N/A	N/A	N/A	N/A	N/A	N/A
56	N/A	N/A	N/A	N/A	N/A	N/A
57	FRONT SIGHT	S03533	S03533	S03533	S03533	S03533
58	N/A	N/A	N/A	N/A	N/A	N/A

ILL. NO.	PART NAME	SYNTHETIC SA1-128 12 GAUGE	WALNUT SA1-129 20 GAUGE	WATERFOWL SA1-130 12 GAUGE	TURKEY SA1-131 12 GAUGE	COMBO SA1-132 12 GAUGE
59	FOREND ASSEMBLY	S03583	S03583	S03583	S03583	S03583
60	FOREND INTERNAL BUFFER	S03534	S03534	S03534	S03534	S03534
61	FOREND	S03992	S03992	S03992	S03992	S03992
62	FOREND PLASTIC BED	S03993	S03993	S03993	S03993	S03993
63	FOREND CENTERING BED	S03994	S03994	S03994	S03994	S03994
64	FOREND CENTERING SCREW	S03535	S03535	S03535	S03535	S03535
65	FOREND FRONT SUPPORT RETAINING RING	S03536	S03536	S03536	S03536	S03536
66	N/A	N/A	N/A	N/A	N/A	N/A
67	BEARING WASHER	S03538	S03538	S03538	S03538	S03538
68	RUBBER RING	S03539	S03539	S03539	S03539	S03539
69	FOREND FRONT SUPPORT	S03540	S03540	S03540	S03540	S03540
70	KEY	S03995	S03995	S03995	S03995	S03995
71	TRIGGER PLATE ASSEMBLY	S03996	S03996	S03996	S03996	S03996
**72	TRIGGER PLATE	S03541	S03541	S03541	S03541	S03541
**73	HAND SAFETY	S03542	S03542	S03542	S03542	S03542
74	TRIGGER ASSEMBLY	S03543	S03543	S03543	S03543	S03543
75	TRIGGER	S03547	S03547	S03547	S03547	S03547
76	TRIGGER ARM	S03997	S03997	S03997	S03997	S03997
77	TRIGGER ARM PIN	S03998	S03998	S03998	S03998	S03998
78	TRIGGER PIN	S03548	S03548	S03548	S03548	S03548
79	SEAR SPRING	S03549	S03549	S03549	S03549	S03549
*80	SEAR	S03550	S03550	S03550	S03550	S03550
81	SEAR SPRING PIN	S03551	S03551	S03551	S03551	S03551
82	SEAR PIN	S03552	S03552	S03552	S03552	S03552
*83	HAMMER	S03553	S03553	S03553	S03553	S03553
84	HAMMER SPRING FOLLOWER	S03554	S03554	S03554	S03554	S03554
85	HAMMER SPRING	S03555	S03555	S03555	S03555	S03555
86	HAMMER PIN	S03556	S03556	S03556	S03556	S03556
87	CARRIER	S03557	S03557	S03557	S03557	S03557
88	BREECH BLACK LATCH	S03558	S03558	S03558	S03558	S03558
89	BREECH BLACK LATCH PIN	S03559	S03559	S03559	S03559	S03559
90	BREECH BLACK LATCH INTERNAL PIN	S03560	S03560	S03560	S03560	S03560
91	BREECH BLACK LATCH SPRING FOLLOWER	S03561	S03561	S03561	S03561	S03561
92	CARRIER MAIN SPRING	S03562	S03562	S03562	S03562	S03562
93	CARRIER AUXILIARY SPRING	S03563	S03563	S03563	S03563	S03563
94	TRIGGER GUARD PIN BUSHING	S03564	S03564	S03564	S03564	S03564
95	TRIGGER GUARD PIN BUSHING SPRING	S03565	S03565	S03565	S03565	S03565
**96	HAND SAFETY SPRING	S03566	S03566	S03566	S03566	S03566
**97	HAND SAFETY SPRING FOLLOWER	S03567	S03567	S03567	S03567	S03567
*98	HAND SAFETY SPRING RETAINING PIN	S03568	S03568	S03568	S03568	S03568
**99	AUTOMATIC SAFETY LEVER	S03569	S03569	S03569	S03569	S03569
**100	AUTOMATIC SAFETY SPRING	S03570	S03570	S03570	S03570	S03570
101	OPERATING HANDLE	S03571	S03571	S03571	S03571	S03571
102	OPERATING HANDLE SPRING	S03572	S03572	S03572	S03572	S03572
103	ACTION BAR	S03573	S03573	S03573	S03573	S03573
104	ACTION BAR RETAINING SPRING	S03574	S03574	S03574	S03574	S03574
105	ACTION BAR SUPPORT	S03575	S03575	S03575	S03575	S03575
106	PISTON ASSEMBLY	S03576	S03576	S03576	S03576	S03576
107	PISTON	S03999	S03999	S03999	S03999	S03999
108	PISTON COMPRESSION SPRING	S04000	S04000	S04000	S04000	S04000
109	COMPRESSION RING RETAINING SPRING	S04001	S04001	S04001	S04001	S04001
110	PLUG	S03577	S03577	S03577	S03577	S03577
111	N/A	N/A	N/A	N/A	N/A	N/A
112	FRONT SUPPORT SPRING	S04002	S04002	S04002	S04002	S04002
113	FRONT SUPPORT BALL	S04003	S04003	S04003	S04003	S04003
114	N/A	N/A	N/A	N/A	N/A	N/A
115	HIDDEN CHOKE	S03578	S03578	S03578	S03578	S03578
116	CHOKE TUBE KEY	S03579	S03579	S03579	S03579	S03579



Harrington &  
Richardson

# Excell Auto™ Shotgun

Autoloading • 12 Gauge  
3" Chamber

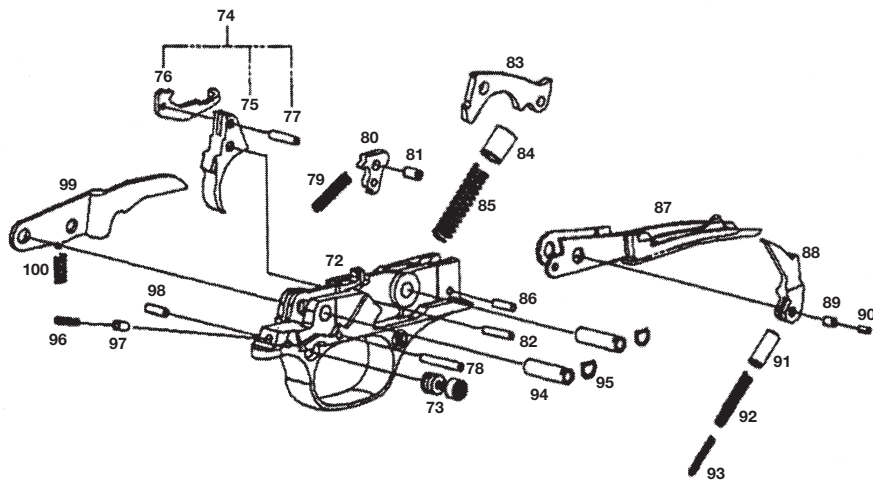


Figure 2:  
Trigger Plate Parts Assembly



Harrington &  
Richardson

Manufactured for: H&R 1871, LLC • 60 Industrial Rowe, Gardner, MA 01440 U.S.A. • [www.hr1871.com](http://www.hr1871.com)