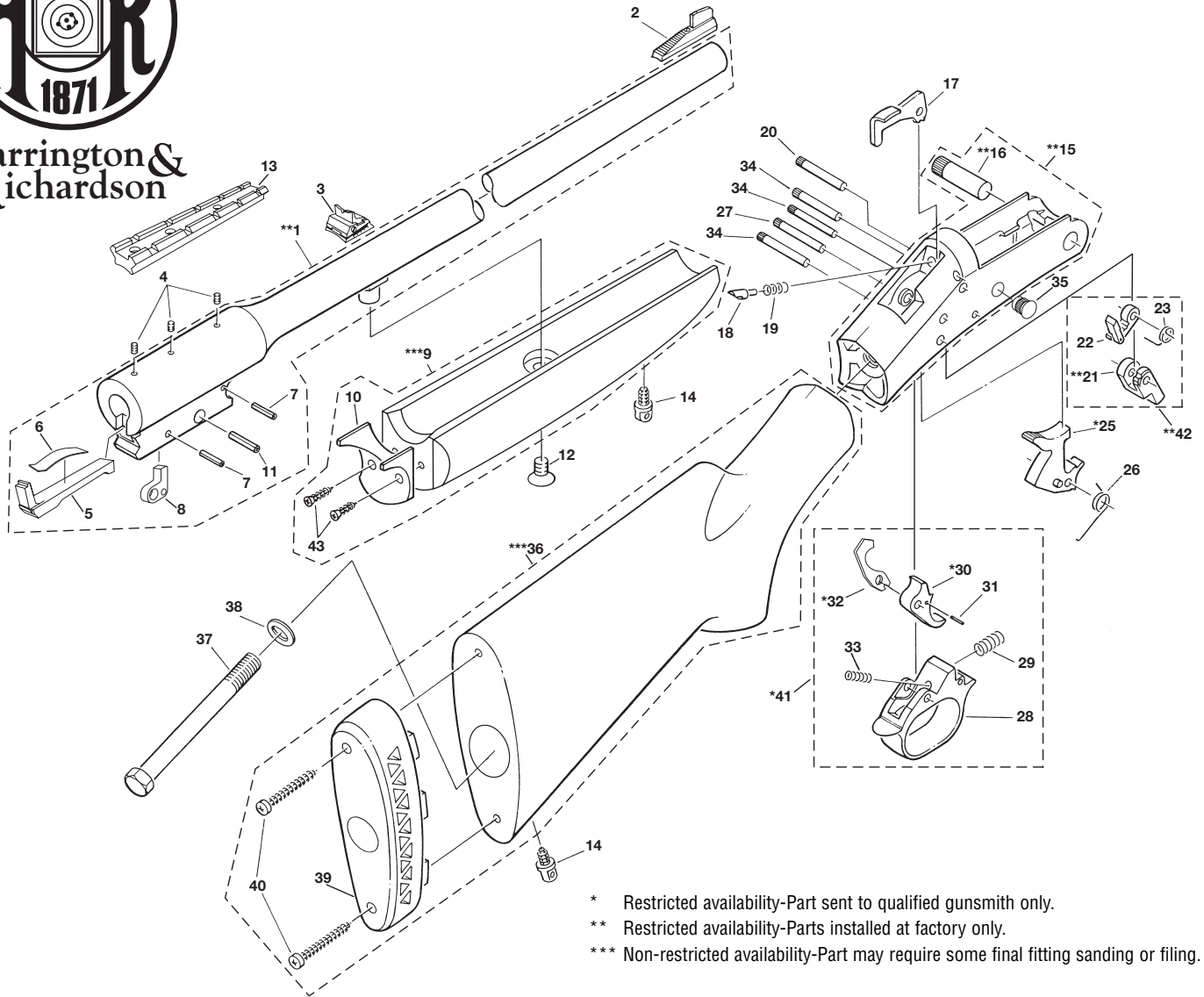




# Handi-Rifle™

Harrington & Richardson



\* Restricted availability-Part sent to qualified gunsmith only.  
 \*\* Restricted availability-Parts installed at factory only.  
 \*\*\* Non-restricted availability-Part may require some final fitting sanding or filing.

ILL. NO.	PART NAME
**1	BARREL
2	BASE-FRONT SIGHT
2	SIGHT-FRONT
3	BLADE-REAR SIGHT
3	SLIDE-REAR SIGHT
3	BASE-REAR SIGHT
3	SLIDE ASY.-REAR SIGHT
3	REAR SIGHT
4	SCREW-DELRIIN FILLER
5	EXTRACTOR
6	EXTRACTOR SPRING
7	PIN EJECTOR LATCH
8	CAM EXTRACTOR
***9	FOREND
10	SPACER-FOREND
11	EJECTOR STOP PIN
12	SCREW-FRD.-SHORT
13	SCOPE BASE
14	SWIVEL
**15	FRAME
**16	JOINT PIN FINISH
17	RELEASE LEVER
18	FIRING PIN
19	SPRING-FIRING PIN
20	RELEASE LEVER PIN

ILL. NO.	PART NAME
**21	BARREL CATCH
22	STRIKER ASS'Y.
23	LIFTER SPRING
24	N/A
*25	HAMMER ASS'Y.
26	HAMMER SPRING
27	TRIGGER GRD. PIN
28	TRIGGER GRD.
29	BARREL CATCH SPRING
*30	TRIGGER
31	TRIG. EXTEN PIN
*32	TRIG EXTENSION
33	SPRING TRIGGER
34	HMR, TRIG, & CATCH PIN
35	VIEW HOLE PIN
***36	STOCK
37	SCREW TANG
38	WASHER TANG SCREW
39	RECOIL PAD
40	SCREW BUTT PLATE
*41	TRIGGER GUARD ASS'Y.
**42	BRL. CATCH STRIKER ASS'Y.
43	SCREW-FOREND SPCR.
44	HAMMER EXTENSION (NOT SHOWN)
45	SCOPE KIT (NOT SHOWN)



ILL. NO.	PART NAME	HANDI-RIFLE SBS-243 243 WIN W/SCOPE	HANDI-RIFLE SB2-256 25/06 REM	HANDI-RIFLE SB2-270 270 WIN	HANDI-RIFLE SB2-280 280 REM	HANDI-RIFLE SB2-306 30/06 SPRG.	HANDI-RIFLE SB2-308 308 WIN	HANDI-RIFLE SB2-708 7MM/08	HANDI-RIFLE SB2-135 35 WHELEN
**1	BARREL	R00936	R03191	R03428	R02411	R00935	R02282	R03111	R03702
2	BASE-FRONT SIGHT	N/A	N/A	N/A	N/A	N/A	N/A	N/A	N/A
2	SIGHT-FRONT	N/A	N/A	N/A	N/A	N/A	N/A	N/A	N/A
3	BLADE-REAR SIGHT	N/A	N/A	N/A	N/A	N/A	N/A	N/A	N/A
3	SLIDE-REAR SIGHT	N/A	N/A	N/A	N/A	N/A	N/A	N/A	N/A
3	BASE-REAR SIGHT	N/A	N/A	N/A	N/A	N/A	N/A	N/A	N/A
3	SLIDE ASY.-REAR SIGHT	N/A	N/A	N/A	N/A	N/A	N/A	N/A	N/A
3	REAR SIGHT	N/A	N/A	N/A	N/A	N/A	N/A	N/A	N/A
4	SCREW-DELRIN FILLER	N/A	N/A	N/A	N/A	N/A	N/A	N/A	N/A
5	EXTRACTOR	R03686	R03686	R03686	R03686	R03686	R03686	R03686	R03686
6	EXTRACTOR SPRING	R03445	R03445	R03445	R03445	R03445	R03445	R03445	R03445
7	PIN EJECTOR LATCH	S01676	S01676	S01676	S01676	S01676	S01676	S01676	S01676
8	CAM EXTRACTOR	R03351	R03351	R03351	R03351	R03351	R03351	R03351	R03351
***9	FOREND	S00886	S00886	S00886	S00886	S00886	S00886	S00886	S00886
10	SPACER-FOREND	S01201	S01201	S01201	S01201	S01201	S01201	S01201	S01201
11	EJECTOR STOP PIN	S01677	S01677	S01677	S01677	S01677	S01677	S01677	S01677
12	SCREW FRD.-SHORT	S01279	S01279	S01279	S01279	S01279	S01279	S01279	S01279
13	SCOPE BASE	R01331	R01331	R01331	R01331	R01331	R01331	R01331	R01331
14	SWIVEL	S01851	S01851	S01851	S01851	S01851	S01851	S01851	S01851
**15	FRAME	R00592	R00592	R00592	R00592	R00592	R00592	R00592	R00592
**16	JOINT PIN FINISH	S01207	S01207	S01207	S01207	S01207	S01207	S01207	S01207
17	RELEASE LEVER	S01203	S01203	S01203	S01203	S01203	S01203	S01203	S01203
18	FIRING PIN	R00266	R00266	R00266	R00266	R00266	R00266	R00266	R00266
19	SPRING-FIRING PIN	S01697	S01697	S01697	S01697	S01697	S01697	S01697	S01697
20	RELEASE LEVER PIN	S02161	S02161	S02161	S02161	S02161	S02161	S02161	S02161
**21	BARREL CATCH	S03643	S03643	S03643	S03643	S03643	S03643	S03643	S03643
22	STRIKER ASS'Y.	S02043	S02043	S02043	S02043	S02043	S02043	S02043	S02043
23	LIFTER SPRING	S01693	S01693	S01693	S01693	S01693	S01693	S01693	S01693
24	N/A	N/A	N/A	N/A	N/A	N/A	N/A	N/A	N/A
*25	HAMMER ASS'Y.	S01202	S01202	S01202	S01202	S01202	S01202	S01202	S01202
26	HAMMER SPRING	S01691	S01691	S01691	S01691	S01691	S01691	S01691	S01691
27	TRIGGER GRD. PIN	S01670	S01670	S01670	S01670	S01670	S01670	S01670	S01670
28	TRIGGER GRD.	S01204	S01204	S01204	S01204	S01204	S01204	S01204	S01204
29	BARREL CATCH SPRING	S04006	S04006	S04006	S04006	S04006	S04006	S04006	S04006
*30	TRIGGER	S01205	S01205	S01205	S01205	S01205	S01205	S01205	S01205
31	TRIG EXTEN PIN	S01191	S01191	S01191	S01191	S01191	S01191	S01191	S01191
*32	TRIG EXTENSION	S01221	S01221	S01221	S01221	S01221	S01221	S01221	S01221
33	SPRING TRIGGER	S04005	S04005	S04005	S04005	S04005	S04005	S04005	S04005
34	HMR, TRIG, & CATCH PIN	S02160	S02160	S02160	S02160	S02160	S02160	S02160	S02160
35	VIEW HOLE PIN	S03636	S03636	S03636	S03636	S03636	S03636	S03636	S03636
***36	STOCK	R00603	R00603	R00603	R00603	R00603	R00603	R00603	R00603
37	SCREW TANG	S01723	S01723	S01723	S01723	S01723	S01723	S01723	S01723
38	WASHER TANG SCREW	S01755	S01755	S01755	S01755	S01755	S01755	S01755	S01755
39	RECOIL PAD	S00423	S00423	S00423	S00423	S00423	S00423	S00423	S00423
40	SCREW BUTT PLATE	S01722	S01722	S01722	S01722	S01722	S01722	S01722	S01722
*41	TRIGGER GUARD ASS'Y.	S02197	S02197	S02197	S02197	S02197	S02197	S02197	S02197
**42	BRL. CATCH STRIKER ASS'Y.	S02042	S02042	S02042	S02042	S02042	S02042	S02042	S02042
43	SCREW-FOREND SPCR.	S00146	S00146	S00146	S00146	S00146	S00146	S00146	S00146
44	HAMMER EXTENSION	S01461	S01461	S01461	S01461	S01461	S01461	S01461	S01461
45	SCOPE KIT	S03914	N/A	N/A	N/A	N/A	N/A	N/A	N/A

ILL. NO.	PART NAME	HANDI-RIFLE SB2-444 444 MARLIN	HANDI-RIFLE SB2-323 223 REM	HANDI-RIFLE SBS-323 223 REM W/SCOPE	HANDI-RIFLE SB2-343 243 WIN	HANDI-RIFLE SB2-204 204 RUGER	HANDI-RIFLE YOUTH SB2-Y23 223 REM	HANDI-RIFLE YOUTH SBS-Y43 243 WIN W/SCOPE	HANDI-RIFLE YOUTH SB2-Y43 243 WIN	HANDI-RIFLE YOUTH SB2-Y08 7mm/08
**1	BARREL	R02788	R00609	R00609	R00562	R03298	R00776	R00936	R00936	R03111
2	BASE-FRONT SIGHT	N/A	N/A	N/A	N/A	N/A	N/A	N/A	N/A	N/A
2	SIGHT-FRONT	N/A	N/A	N/A	N/A	N/A	N/A	N/A	N/A	N/A
3	BLADE-REAR SIGHT	N/A	N/A	N/A	N/A	N/A	N/A	N/A	N/A	N/A
3	SLIDE-REAR SIGHT	N/A	N/A	N/A	N/A	N/A	N/A	N/A	N/A	N/A
3	BASE-REAR SIGHT	N/A	N/A	N/A	N/A	N/A	N/A	N/A	N/A	N/A
3	SLIDE ASY.-REAR SIGHT	N/A	N/A	N/A	N/A	N/A	N/A	N/A	N/A	N/A
3	REAR SIGHT	N/A	N/A	N/A	N/A	N/A	N/A	N/A	N/A	N/A
4	SCREW-DELTRIN FILLER	N/A	N/A	N/A	N/A	N/A	N/A	N/A	N/A	N/A
5	EXTRACTOR	R03837	R03828	R03828	R03686	R03828	R03828	R03686	R03686	R03686
6	EXTRACTOR SPRING	R03445	R03445	R03445	R03445	R03445	R03445	R03445	R03445	R03445
7	PIN EJECTOR LATCH	S01676	S01676	S01676	S01676	S01676	S01676	S01676	S01676	S01676
8	CAM EXTRACTOR	R03351	R03351	R03351	R03351	R03351	R03351	R03351	R03351	R03351
***9	FOREND	S00886	S00886	S00886	S00886	S00886	S00886	S00886	S00886	R03116
10	SPACER-FOREND	S01201	S01201	S01201	S01201	S01201	S01201	S01201	S01201	S01201
11	EJECTOR STOP PIN	S01677	S01677	S01677	S01677	S01677	S01677	S01677	S01677	S01677
12	SCREW FRD.-SHORT	S01279	S01279	S01279	S01279	S01279	S01279	S01279	S01279	S01279
13	SCOPE BASE	R01331	R01331	R01331	R01331	R01331	R01331	R01331	R01331	R01331
14	SWIVEL	S01851	S01851	S01851	S01851	S01851	S01851	S01851	S01851	S01851
**15	FRAME	R00592	R00592	R00592	R00592	R00592	R00592	R00592	R00592	R00592
**16	JOINT PIN FINISH	S01207	S01207	S01207	S01207	S01207	S01207	S01207	S01207	S01207
17	RELEASE LEVER	S01203	S01203	S01203	S01203	S01203	S01203	S01203	S01203	S01203
18	FIRING PIN	R00266	R00266	R00266	R00266	R00266	R00266	R00266	R00266	R00266
19	SPRING-FIRING PIN	S01697	S01697	S01697	S01697	S01697	S01697	S01697	S01697	S01697
20	RELEASE LEVER PIN	S02161	S02161	S02161	S02161	S02161	S02161	S02161	S02161	S02161
**21	BARREL CATCH	S03643	S03643	S03643	S03643	S03643	S03643	S03643	S03643	S03643
22	STRIKER ASS'Y.	S02043	S02043	S02043	S02043	S02043	S02043	S02043	S02043	S02043
23	LIFTER SPRING	S01693	S01693	S01693	S01693	S01693	S01693	S01693	S01693	S01693
24	N/A	N/A	N/A	N/A	N/A	N/A	N/A	N/A	N/A	N/A
*25	HAMMER ASS'Y.	S01202	S01202	S01202	S01202	S01202	S01202	S01202	S01202	S01202
26	HAMMER SPRING	S01691	S01691	S01691	S01691	S01691	S01691	S01691	S01691	S01691
27	TRIGGER GRD. PIN	S01670	S01670	S01670	S01670	S01670	S01670	S01670	S01670	S01670
28	TRIGGER GRD.	S01204	S01204	S01204	S01204	S01204	S01204	S01204	S01204	S01204
29	BARREL CATCH SPRING	S04006	S04006	S04006	S04006	S04006	S04006	S04006	S04006	S04006
*30	TRIGGER	S01205	S01205	S01205	S01205	S01205	S01205	S01205	S01205	S01205
31	TRIG EXTEN PIN	S01191	S01191	S01191	S01191	S01191	S01191	S01191	S01191	S01191
*32	TRIG EXTENSION	S01221	S01221	S01221	S01221	S01221	S01221	S01221	S01221	S01221
33	SPRING TRIGGER	S04005	S04005	S04005	S04005	S04005	S04005	S04005	S04005	S04005
34	HMR, TRIG, & CATCH PIN	S02160	S02160	S02160	S02160	S02160	S02160	S02160	S02160	S02160
35	VIEW HOLE PIN	S03636	S03636	S03636	S03636	S03636	S03636	S03636	S03636	S03636
***36	STOCK	R00603	R00603	R00603	R00603	R00603	R02619	R02619	R02619	R02619
37	SCREW TANG	S01723	S01723	S01723	S01723	S01723	S01723	S01723	S01723	S01723
38	WASHER TANG SCREW	S01755	S01755	S01755	S01755	S01755	S01755	S01755	S01755	S01755
39	RECOIL PAD	S00423	S00423	S00423	S00423	S00423	S00423	S00423	S00423	S00423
40	SCREW BUTT PLATE	S01722	S01722	S01722	S01722	S01722	S01722	S01722	S01722	S01722
*41	TRIGGER GUARD ASS'Y.	S02197	S02197	S02197	S02197	S02197	S02197	S02197	S02197	S02197
**42	BRL CATCH STRIKER ASS'Y.	S02042	S02042	S02042	S02042	S02042	S02042	S02042	S02042	S02042
43	SCREW-FOREND SPCR.	S00146	S00146	S00146	S00146	S00146	S00146	S00146	S00146	S00146
44	HAMMER EXTENSION	S01461	S01461	S01461	S01461	S01461	S01461	S01461	S01461	S01461
45	SCOPE KIT	N/A	N/A	S03914	N/A	N/A	N/A	S03914	N/A	N/A

Manufactured by: H&R 1871, LLC • 60 Industrial Rowe, Gardner, MA 01440 U.S.A. • [www.hr1871.com](http://www.hr1871.com)