



Pardner® Pump Shotgun

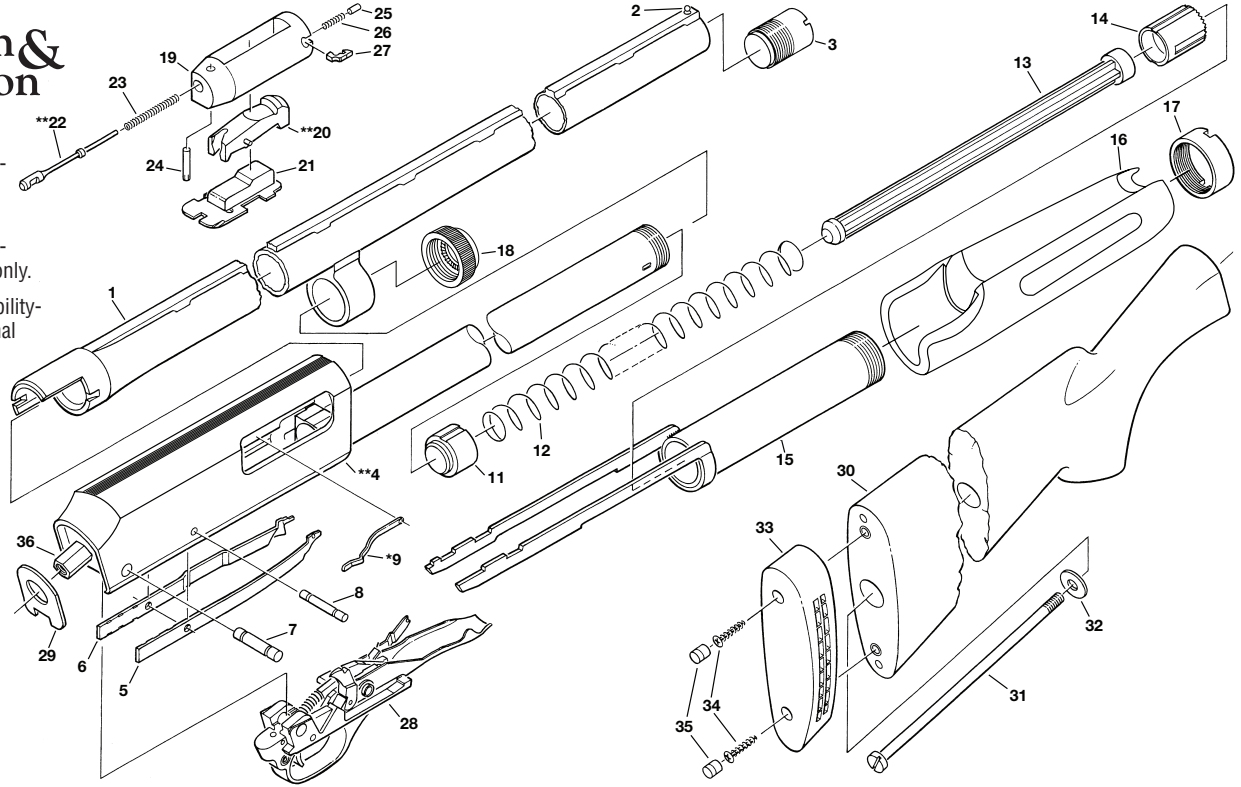
12 Gauge • 20 Gauge
Youth • Slug • 3" Chamber

Harrington & Richardson

* Restricted availability-
Part sent to qualified
gunsmith only.

** Restricted availability-
Parts installed at factory only.

*** Non-restricted availability-
Part may require some final
fitting sanding or filing.



ILL. NO.	PART NAME
1	.BARREL ASSEMBLY
2	.SIGHT-BEAD
3	.CHOKE
**4	.RECEIVER & MAGAZINE TUBE ASSY.
5	.LATCH-RIGHT SHELL
6	.LATCH-LEFT SHELL
7	.PIN-REAR TRIGGER GUARD
8	.PIN-FRONT TRIGGER GUARD
*9	.SPRING-EJECTOR
10	.N/A
11	.MAGAZINE FOLLOWER
12	.MAGAZINE SPRING
13	.MAGAZINE PLUG
14	.RETAINER-MAGAZINE SPRING
15	.ACTION BAR ASSEMBLY
16	.FOREND
17	.NUT-FOREND TUBE
18	.MAGAZINE CAP
19	.BOLT-BREECH
**20	.LOCKING BLOCK
21	.SLIDE ASSEMBLY
**22	.PIN-FIRING
23	.SPRING-FIRING PIN RETRACTOR
24	.PIN-FIRING PIN RETAINING
25	.PLUNGER-EXTRACTOR
26	.SPRING-EXTRACTOR
27	.EXTRACTOR
28	.TRIGGER PLATE PARTS ASSY. (SEE FIGURE #2)
29	.STOCK BEARING PLATE
30	.STOCK ASSY.
31	.BOLT-STOCK
32	.WASHER-STOCK BOLT

ILL. NO.	PART NAME
33	.PAD-RECOIL
34	.SCREW-RECOIL PAD
35	.PLUG-RECOIL PAD SCREW
36	.RECEIVER STUD
37	.HAMMER PIVOT PIN WASHER (FIG. #2)
*38	.CARRIER (FIG. #2)
**39	.LOCK-ACTION BAR (FIG. #2)
40	.SPRING-ACTION BAR LOCK (FIG. #2)
*41	.DOG-CARRIER (FIG. #2)
**42	.TRIGGER PLATE (FIG. #2)
43	.TRIGGER ASSEMBLY (FIG. #2)
**44	.HAMMER (FIG. #2)
**45	.FOLLOWER-CARRIER DOG (FIG. #2)
**46	.SPRING-CARRIER DOG FOLLOWER (FIG. #2)
*47	.PIN-CARRIER DOG (FIG. #2)
**48	.TUBE-CARRIER PIVOT (FIG. #2)
49	.PIN-HAMMER PIVOT (FIG. #2)
50	.PLUNGER-HAMMER (FIG. #2)
51	.SPRING-HAMMER (FIG. #2)
**52	.BUTTON-SAFETY (FIG. #2)
**53	.BALL-SAFETY DETENT (FIG. #2)
**54	.SPRING-SAFETY DETENT (FIG. #2)
**55	.SEAR (FIG. #2)
56	.PIN-TRIGGER (FIG. #2)
57	.BUSHING-REAR TRIGGER PLATE PIN (FIG. #2)
58	.SPRING-FRT. TRIG. PLATE PIN DETENT (FIG. #2)
59	.SPRING-REAR TRIG. PLATE PIN DETENT (FIG. #2)
*60	.CARRIER DOG WASHER (FIG. #2)
**61	.SAFETY SWITCH SPRING RETAINING PIN (FIG. #2)
62	.SEAR PIN (FIG. #2)
63	.SPRING-SEAR (FIG. #2)

ILL. NO.	PART NAME	WALNUT PUMP NP1-228 12 GAUGE	WALNUT PUMP NP1-206 20 GAUGE	SYNTHETIC PUMP NP1-2S8 12 GAUGE	SYNTHETIC PUMP NP1-2S6 20 GAUGE	YOUTH PUMP WALNUT NP1-201 20 GAUGE	YOUTH PUMP SYNTHETIC NP1-2S1 20 GAUGE
1	BARREL ASSEMBLY	S03114	S03713	S03473	S03714	S03712	S03711
2	SIGHT-BEAD	S03408	S04034	S03408			
3	CHOKE	H12MOD S12IMD	S20IMD	H12MOD S12IMD	S20IMD	S20IMD	S20IMD
**4	RECEIVER & MAGAZINE TUBE ASS'Y.	S03890	S04035	S03890	S04035	S04035	S04035
5	LATCH-RIGHT SHELL	S03389	S04036	S03389	S04036	S04036	S04036
6	LATCH-LEFT SHELL	S03388	S04037	S03388	S04037	S04037	S04037
7	PIN-REAR TRIGGER GUARD	S03400	S03400	S03400	S03400	S03400	S03400
8	PIN-FRONT TRIGGER GUARD	S03399	S03399	S03399	S03399	S03399	S03399
*9	SPRING-EJECTOR	S03412	S04038	S03412	S04038	S04038	S04038
10	N/A	N/A	N/A	N/A	N/A	N/A	N/A
11	MAGAZINE FOLLOWER	S03392	S04039	S03392	S04039	S04039	S04039
12	MAGAZINE SPRING	S03891	S04040	S03891	S04040	S04040	S04040
13	MAGAZINE PLUG	S03892	S04041	S03892	S04041	S04041	S04041
14	RETAINER-MAGAZINE SPRING	S03405	S04042	S03405	S04042	S04042	S04042
15	ACTION BAR ASSEMBLY	S03375	S04043	S03375	S04043	S04043	S04043
16	FOREND-CYL. PUMP-BLACK WALNUT	S03386	S03386	S03386	S03386	S03386	S03386
16	FOREND-PUMP SYN. BLACK	S03319	S03319	S03319	S03319	S03319	S03319
16	FOREND-PUMP SYN. MOSSY	S03320	S03320	S03320	S03320	S03320	S03320
17	NUT-FOREND TUBE	S03393	S04045	S03393	S04045	S04045	S04045
18	MAGAZINE CAP	S03486	S04046	S03486	S04046	S04046	S04046
18	MAGAZINE CAP (WITH STUD)	S03487	S03487	S03487	S03487	S03487	S03487
19	BOLT-BREECH	S03377	S04047	S03377	S04047	S04047	S04047
**20	LOCKING BLOCK	S03391	S04048	S03391	S04048	S04048	S04048
21	SLIDE ASSEMBLY	S03409	S04049	S03409	S04049	S04049	S04049
**22	PIN-FIRING	S03396	S03396	S03396	S03396	S03396	S03396
23	SPRING-FIRING PIN RETRACTOR	S03414	S03414	S03414	S03414	S03414	S03414
24	PIN-FIRING PIN RETAINING	S03397	S03397	S03397	S03397	S03397	S03397
25	PLUNGER-EXTRACTOR	S03403	S03403	S03403	S03403	S03403	S03403
26	SPRING-EXTRACTOR	S03413	S03413	S03413	S03413	S03413	S03413
27	EXTRACTOR	S03385	S03385	S03901	S03385	S03385	S03385
28	TRIGGER PLATE PARTS ASSY.	—	—	SEE	FIGURE	#2	—
29	STOCK BEARING PLATE	S03901	S03901	S03901	S03901	S03901	S03901
30	STOCK ASS'Y-BLACK WALNUT	S03154	S03154	N/A	N/A	S03154	N/A
30	STOCK-PUMP SYN. BLACK	S03317	S03317	S03317	S03317	S03317	S03317
30	STOCK-PS SYN. MOSSY	S03318	S03318	S03318	S03318	S03318	S03318
31	BOLT-STOCK	S03378	S03378	S03378	S03378	S03378	S03378
32	WASHER-STOCK BOLT	S03423	S03423	S03423	S03423	S03423	S03423
33	PAD-RECOIL	S03394	S03394	S03394	S03394	S03394	S03394
34	SCREW-RECOIL PAD	S03902	S03902	S03902	S03902	S03902	S03902
35	PLUG-RECOIL PAD SCREW	S03881	S03881	S03881	S03881	S03881	S03881
36	RECEIVER STUD	S03882	S03882	S03882	S03882	S03882	S03882
37	HAMMER PIVOT PIN WASHER	S03893	S04050	S03893	S03893	S03893	S03893
*38	SWIVEL STUD (SYN. STOCK ONLY)	S03953	S03953	S03953	S03953	S03953	S03953
**39	LOCK-ACTION BAR	S03390	S04052	S03390	S04052	S04052	S04052
40	SPRING-ACTION BAR LOCK	S03410	S04053	S03410	S04053	S04053	S04053
*41	DOG-CARRIER	S03384	S04054	S03384	S04054	S04054	S04054
**42	TRIGGER PLATE	S03422	S04055	S03422	S04055	S04055	S04055
43	TRIGGER ASSEMBLY	S03421	S04056	S03421	S04056	S04056	S04056
**44	HAMMER	S03387	S04057	S03387	S04057	S04057	S04057
**45	FOLLOWER-CARRIER DOG	S03402	S04058	S03402	S04058	S04058	S04058
**46	SPRING-CARRIER DOG FOLLOWER	S03411	S04059	S03411	S04059	S04059	S04059
*47	PIN-CARRIER DOG	S03395	S04060	S03395	S04060	S04060	S04060
**48	TUBE-CARRIER PIVOT	S03380	S04061	S03380	S04061	S04061	S04061
49	PIN-HAMMER PIVOT	S03398	S04062	S03398	S04062	S04062	S04062
50	PLUNGER-HAMMER	S03404	S04063	S03404	S04063	S04063	S04063
51	SPRING-HAMMER	S03416	S04064	S03416	S04064	S04064	S04064
**52	BUTTON-SAFETY	S03381	S04065	S03381	S04065	S04065	S04065
**53	BALL-SAFETY DETENT	S03376	S04066	S03376	S04066	S04066	S04066
**54	SPRING-SAFETY DETENT	S03418	S04067	S03418	S04067	S04067	S04067
**55	SEAR	S03407	S04068	S03407	S04068	S04068	S04068
56	PIN-TRIGGER	S03401	S04069	S03401	S04069	S04069	S04069
57	BUSHING-REAR TRIGGER PLATE PIN	S03379	S04070	S03379	S04070	S04070	S04070
58	SPRING-FRT. TRIG. PLATE PIN DETENT	S03415	S04071	S03415	S04071	S04071	S04071
59	SPRING-REAR TRIG. PLATE PIN DETENT	S03417	S04072	S03417	S04072	S04072	S04072
*60	CARRIER DOG WASHER	S03903	S04073	S03903	S04073	S04073	S04073
**61	SAFETY SWITCH SPRING RETAINING PIN	S03904	S04074	S03904	S04074	S04074	S04074
62	SEAR PIN	S03905	S04075	S03905	S04075	S04075	S04075
63	SPRING-SEAR	S03419	S04076	S03419	S04076	S04076	S04076

ILL. NO.	PART NAME	PARDNER TURKEY PUMP NP1-T22 12 GAUGE	PARDNER SLUG GUN PUMP NP1-012 12 GAUGE	PARDNER SLUG GUN PUMP NP1-21S 20 GAUGE	PARDNER COMBO PUMP NP1-S28 12 GAUGE	PARDNER PROTECTOR PUMP NP1-P18 20 GAUG
1	BARREL ASSEMBLY	S03701	S03613	S03705	S03613	S03595
2	SIGHT-BEAD	S03408	S03408	S04034	S03408	S04034
3	CHOKE	H12XFL	H12MOD	N/A	H12MOD	N/A
**4	RECEIVER & MAGAZINE TUBE ASS'Y.	S03890	S03890	S04035	S03890	S04035
5	LATCH-RIGHT SHELL	S03389	S03389	S04036	S03389	S04036
6	LATCH-LEFT SHELL	S03388	S03388	S04037	S03388	S04037
7	PIN-REAR TRIGGER GUARD	S03400	S03400	S03400	S03400	S03400
8	PIN-FRONT TRIGGER GUARD	S03399	S03399	S03399	S03399	S03399
*9	SPRING-EJECTOR	S03412	S03412	S04038	S03412	S04038
10	N/A	N/A	N/A	N/A	N/A	N/A
11	MAGAZINE FOLLOWER	S03392	S03392	S04039	S03392	S04039
12	MAGAZINE SPRING	S03891	S03891	S04040	S03891	S04040
13	MAGAZINE PLUG	S03892	S03892	S04041	S03892	S04041
14	RETAINER-MAGAZINE SPRING	S03405	S03405	S04042	S03405	S04042
15	ACTION BAR ASSEMBLY	S03375	S03375	S04043	S03375	S04043
16	FOREND-CYL. PUMP-BLACK WALNUT	S03700	N/A	N/A	N/A	N/A
16	FOREND-PUMP SYN. BLACK	S03319	S03319	S03319	S03319	S03319
16	FOREND-PUMP SYN. MOSSY	S03320	S03320	S03320	S03320	S03320
17	NUT-FOREND TUBE	S03393	S03393	S04045	S03393	S04045
18	MAGAZINE CAP	S03486	S03486	S04046	S03486	S04046
18	MAGAZINE CAP (WITH STUD)	S03487	S03487	S03487	S03487	S03487
19	BOLT-BREECH	S03377	S03377	S04047	S03377	S04047
**20	LOCKING BLOCK	S03391	S03391	S04048	S03391	S04048
21	SLIDE ASSEMBLY	S03409	S03409	S04049	S03409	S04049
**22	PIN-FIRING	S03396	S03396	S03396	S03396	S03396
23	SPRING-FIRING PIN RETRACTOR	S03414	S03414	S03414	S03414	S03414
24	PIN-FIRING PIN RETAINING	S03397	S03397	S03397	S03397	S03397
25	PLUNGER-EXTRACTOR	S03403	S03403	S03403	S03403	S03403
26	SPRING-EXTRACTOR	S03413	S03413	S03413	S03413	S03413
27	EXTRACTOR	S03385	S03385	S03385	S03385	S03385
28	TRIGGER PLATE PARTS ASSY.	—	SEE	FIGURE	#2	—
29	STOCK BEARING PLATE	S03901	S03901	S03901	S03901	S03901
30	STOCK ASS'Y.-BLACK WALNUT	S03698	S03154	N/A	S03154	N/A
30	STOCK-PUMP SYN. BLACK	S03317	S03317	S03317	S03317	S03317
30	STOCK-PS SYN. MOSSY	S03318	S03318	S03318	S03318	S03318
31	BOLT-STOCK	S03378	S03378	S03378	S03378	S03378
32	WASHER-STOCK BOLT	S03423	S03423	S03423	S03423	S03423
33	PAD-RECOIL	S03394	S03394	S03394	S03394	S03394
34	SCREW-RECOIL PAD	S03902	S03902	S03902	S03902	S03902
35	PLUG-RECOIL PAD SCREW	S03881	S03881	S03881	S03881	S03881
36	RECEIVER STUD	S03882	S03882	S03882	S03882	S03882
37	HAMMER PIVOT PIN WASHER	S03893	S03893	S04050	S03893	S04050
38	SWIVEL STUD (SYN. STOCK ONLY)	S03953	S03953	S03953	S03953	S03953
**39	LOCK-ACTION BAR	S03390	S03390	S04052	S03390	S04052
40	SPRING-ACTION BAR LOCK	S03410	S03410	S04053	S03410	S04053
**41	DOG-CARRIER	S03384	S03384	S04054	S03384	S04054
**42	TRIGGER PLATE	S03422	S03422	S04055	S03422	S04055
43	TRIGGER ASSEMBLY	S03421	S03421	S04056	S03421	S04056
**44	HAMMER	S03387	S03387	S04057	S03387	S04057
**45	FOLLOWER-CARRIER DOG	S03402	S03402	S04058	S03402	S04058
**46	SPRING-CARRIER DOG FOLLOWER	S03411	S03411	S04059	S03411	S04059
**47	PIN-CARRIER DOG	S03395	S03395	S04060	S03395	S04060
**48	TUBE-CARRIER PIVOT	S03380	S03380	S04061	S03380	S04061
49	PIN-HAMMER PIVOT	S03398	S03398	S04062	S03398	S04062
50	PLUNGER-HAMMER	S03404	S03404	S04063	S03404	S04063
51	SPRING-HAMMER	S03416	S03416	S04064	S03416	S04064
**52	BUTTON-SAFETY	S03381	S03381	S04065	S03381	S04065
**53	BALL-SAFETY DETENT	S03376	S03376	S04066	S03376	S04066
**54	SPRING-SAFETY DETENT	S03418	S03418	S04067	S03418	S04067
**55	SEAR	S03407	S03407	S04068	S03407	S04068
56	PIN-TRIGGER	S03401	S03401	S04069	S03401	S04069
57	BUSHING-REAR TRIGGER PLATE PIN	S03379	S03379	S04070	S03379	S04070
58	SPRING-FRT. TRIG. PLATE PIN DETENT	S03415	S03415	S04071	S03415	S04071
59	SPRING-REAR TRIG. PLATE PIN DETENT	S03417	S03417	S04072	S03417	S04072
**60	CARRIER DOG WASHER	S03903	S03903	S04073	S03903	S04073
**61	SAFETY SWITCH SPRING RETAINING PIN	S03904	S03904	S04074	S03904	S04074
62	SEAR PIN	S03905	S03905	S04075	S03905	S04075
63	SPRING-SEAR	S03419	S03419	S04076	S03419	S04076

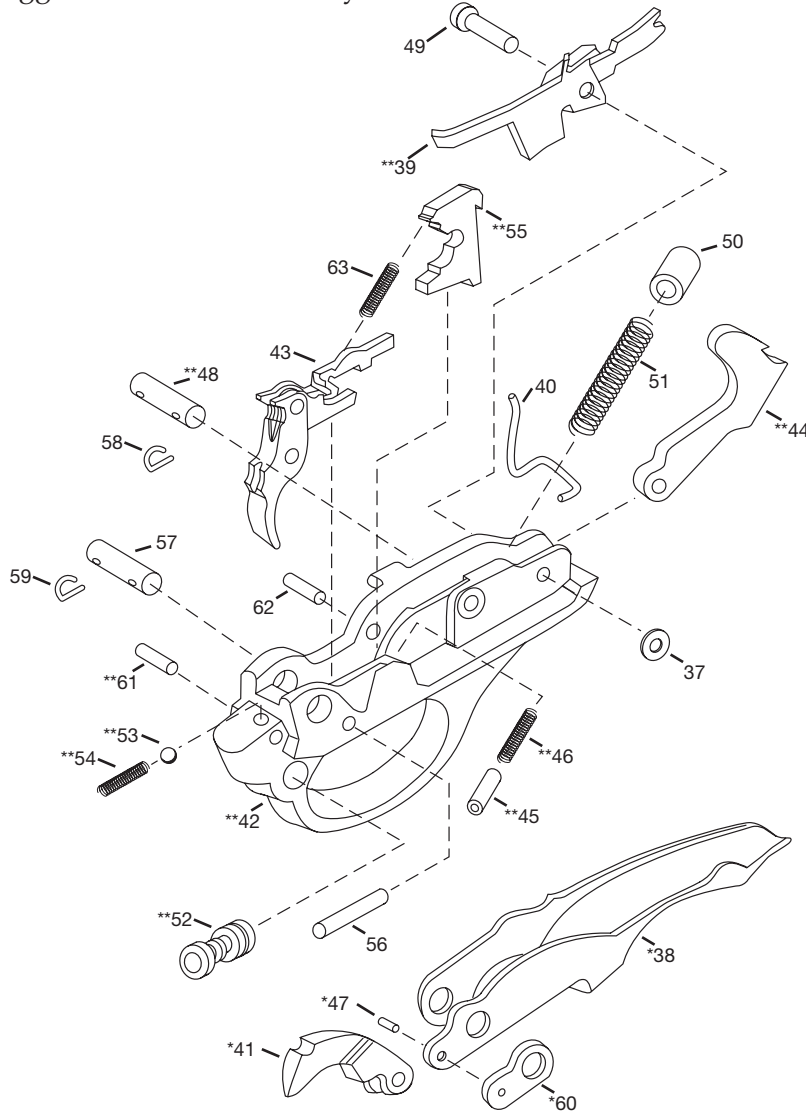


Harrington &
Richardson

Pardner® Pump Shotgun

12 Gauge • 20 Gauge
Youth • Slug • 3" Chamber

Figure 2:
Trigger Plate Parts Assembly



Harrington &
Richardson

Manufactured for: H&R 1871, LLC • 60 Industrial Rowe, Gardner, MA 01440 U.S.A. • www.hr1871.com