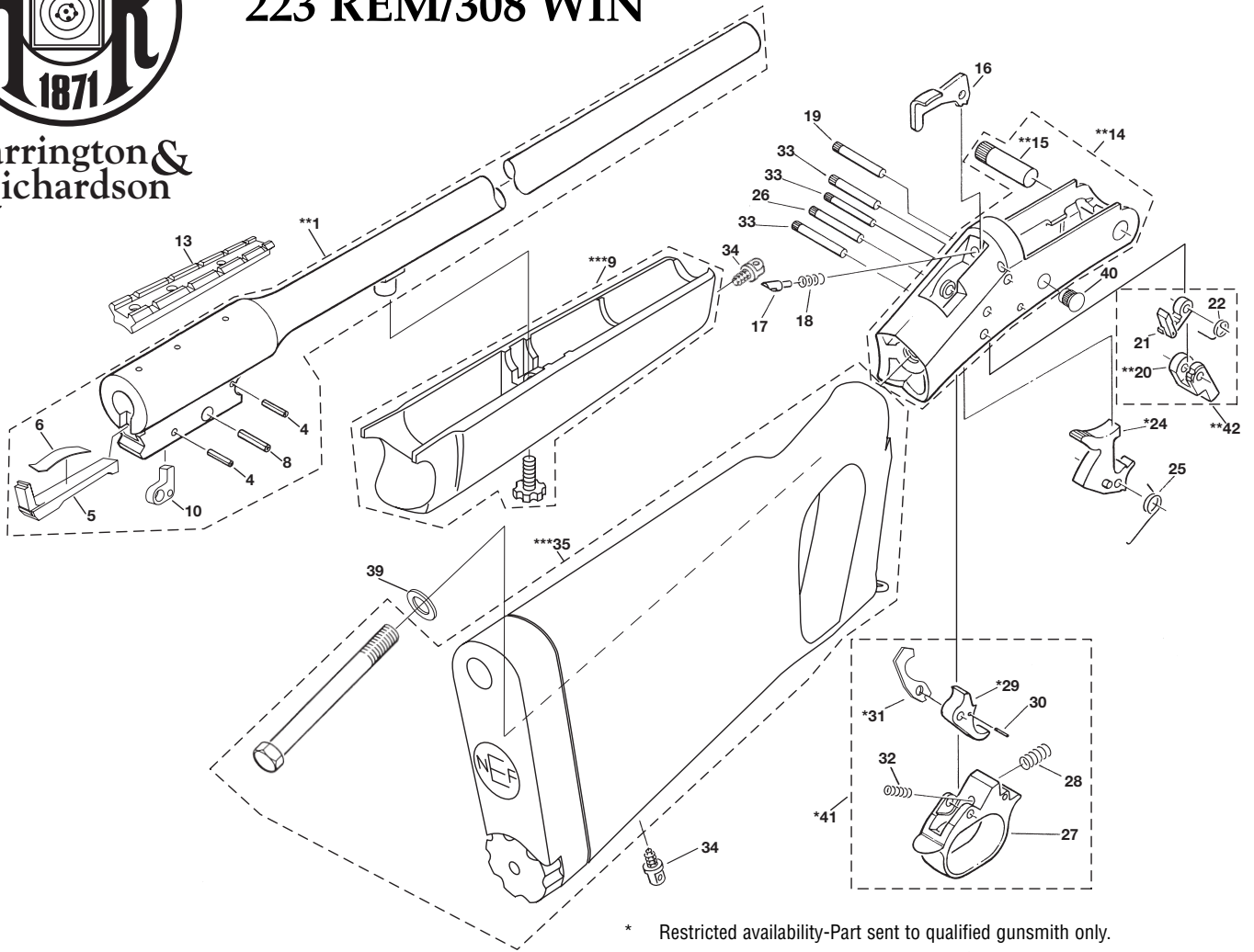




Survivor[®] Rifle

223 REM/308 WIN

Harrington & Richardson



- * Restricted availability-Part sent to qualified gunsmith only.
- ** Restricted availability-Parts installed at factory only.
- *** Non-restricted availability-Part may require some final fitting sanding or filing.

ILL. NO.	PART NAME	SURVIVOR SB2-623 223 REM	SURVIVOR SB2-608 308 WIN
**1	BARREL	R00609	R02733
2	N/A.....	N/A	N/A
3	N/A.....	N/A	N/A
4	PIN EJECTOR LATCH	S01676	S01676
5	EXTRACTOR.....	R03828	R03686
6	EXTRACTOR SPRING.....	R03445	R03445
7	N/A.....	N/A	N/A
8	EJECTOR STOP PIN	S01677	S01677
**9	FOREND.....	S02115	S02115
10	EXTRACTOR CAM.....	R03351	R03351
11	HAMMER EXTENSION (NOT SHOWN)	S01461	S01461
12	N/A.....	N/A	N/A
13	SCOPE BASE	R01331	R01331
**14	FRAME.....	R03778	R03778
**15	JOINT PIN	S01207	S01207
16	RELEASE LEVER	S01203	S01203
17	FIRING PIN	R00266	R00266
18	SPRING-FIRING PIN	S01697	S01697
19	RELEASE LEVER PIN	S02161	S02161
**20	BARREL CATCH	S03643	S03643
21	STRIKER	S02043	S02043
22	LIFTER SPRING	S01693	S01693

ILL. NO.	PART NAME	SURVIVOR SB2-623 223 REM	SURVIVOR SB2-608 308 WIN
23	N/A.....	N/A	N/A
*24	HAMMER.....	S01202	S01202
25	HAMMER SPRING	S01691	S01691
26	TRIGGER GRD. PIN	S01670	S01670
27	TRIGGER GRD.	S01204	S01204
28	BARREL CATCH SPRING	S04006	S04006
*29	TRIGGER	S01205	S01205
30	TRIG EXTEN PIN	S01191	S01191
*31	TRIG EXTENSION	S01221	S01221
32	SPRING TRIGGER.....	S04005	S04005
33	HMR, TRIG & CTCH PIN	S02160	S02160
34	SWIVEL ASSY.....	R01853	R01853
***35	STOCK	S02114	S02114
36	N/A.....	N/A	N/A
37	N/A.....	N/A	N/A
38	N/A.....	N/A	N/A
39	WASHER TANG SCREW	S01755	S01755
40	VIEW HOLE PIN.....	S03636	S03636
*41	TRIGGER GUARD ASS'Y.....	S02197	S02197
**42	BRL. CATCH STRIKER ASS'Y.....	S02042	S02042
43	SLING-ACCESSORY (NOT SHOWN).....	R01848	R01848