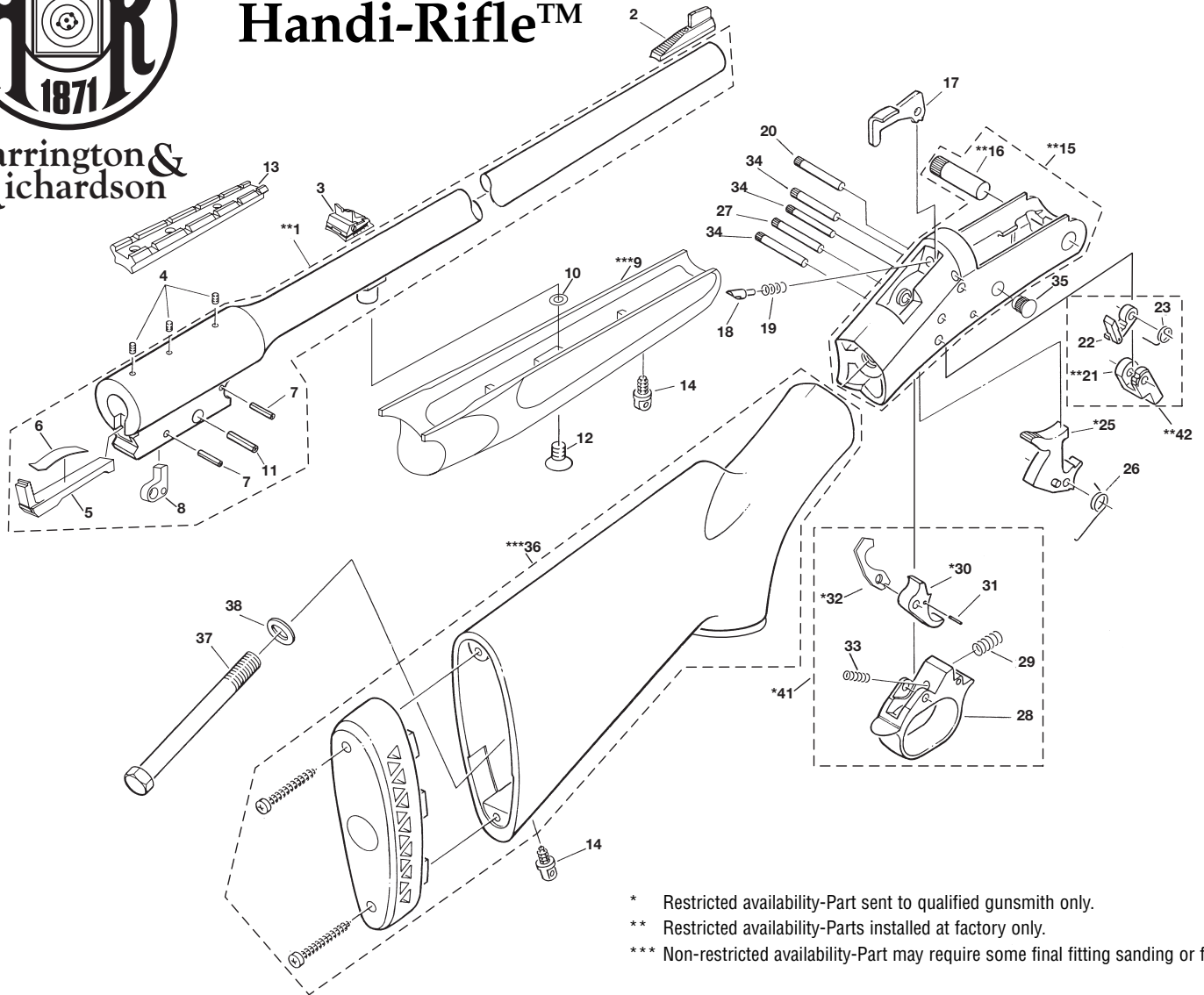




Harrington & Richardson

Synthetic/Stainless/Superlight Handi-Rifle™



* Restricted availability-Part sent to qualified gunsmith only.
 ** Restricted availability-Parts installed at factory only.
 *** Non-restricted availability-Part may require some final fitting sanding or filing.

ILL. NO.	PART NAME
**1	BARREL
2	SIGHT-FRONT
3	BASE, REAR SIGHT
3	BLADE-REAR SIGHT
3	SLIDE-REAR SIGHT
4	FILLER SCREW
5	EXTRACTOR
6	EXTRACTOR SPRING
7	PIN EJECTOR LATCH
8	EXTRACTOR CAM
***9	FOREND
10	SPACER RING, FOREND
11	PIN EJECTOR STOP
12	SCREW-FRD.
13	SCOPE BASE
14	SWIVEL STUD
**15	FRAME
**16	JOINT PIN
17	RELEASE LEVER
18	FIRING PIN
19	SPRING-FIRING PIN
20	RELEASE LEVER PIN
**21	BARREL CATCH

ILL. NO.	PART NAME
22	STRIKER
23	LIFTER SPRING
24	HAMMER EXTENSION (NOT SHOWN)
*25	HAMMER
26	HAMMER SPRING
27	TRIGGER GRD. PIN
28	TRIGGER GRD.
29	BARREL CATCH SPRING
*30	TRIGGER
31	TRIG. EXTEN PIN
*32	TRIG EXTENSION
33	SPRING TRIGGER
34	HMR, TRIG, & CTCH PIN
35	VIEW HOLE PIN
***36	STOCK
37	SCREW TANG
38	WASHER TANG SCREW
39	N/A
40	N/A
*41	TRIGGER GUARD ASS'Y.
**42	BRL. CATCH STRIKER ASS'Y.
43	SCOPE KIT (NOT SHOWN)

ILL. NO.	PART NAME	HANDI-RIFLE SB2-S24 22 HORNET	HANDI-RIFLE SB2-S57 45/70 GOVT.	HANDI-RIFLE SB2-S23 223 REM	HANDI-RIFLE SB2-S43 243 WIN	HANDI-RIFLE SB2-S70 270 WIN	HANDI-RIFLE SB2-S80 280 REM	HANDI-RIFLE SB2-S06 30/06 SPRG.
**1	BARREL	R00738	R00773	R00776	R00936	R03428	R02411	R00935
2	SIGHT-FRONT	R03873	R03871	N/A	N/A	N/A	N/A	N/A
3	BASE, REAR SIGHT	N/A	N/A	N/A	N/A	N/A	N/A	N/A
3	BLADE-REAR SIGHT	R03819	R03819	N/A	N/A	N/A	N/A	N/A
3	SLIDE-REAR SIGHT	R03820	R03820	N/A	N/A	N/A	N/A	N/A
4	FILLER SCREW	R03102	R03102	N/A	N/A	N/A	N/A	N/A
5	EXTRACTOR	R03834	L03690	R03828	R03686	R03686	R03686	R03686
6	EXTRACTOR SPRING	R03445	R03445	R03445	R03445	R03445	R03445	R03445
7	PIN EJECTOR LATCH	S01676	S01676	S01676	S01676	S01676	S01676	S01676
8	EXTRACTOR CAM	R03351	R03351	R03351	R03351	R03351	R03351	R03351
***9	FOREND	S02165	S02165	S02165	S02165	S02165	S02165	S02165
10	SPACER RING, FOREND	N/A	N/A	N/A	N/A	N/A	N/A	N/A
11	PIN EJECTOR STOP	S01677	S01677	S01677	S01677	S01677	S01677	S01677
12	SCREW FRD.	S01279	S01279	S01279	S01279	S01279	S01279	S01279
13	SCOPE BASE	N/A	N/A	R01331	R01331	R01331	R01331	R01331
14	SWIVEL STUD	S01851	S01851	S01851	S01851	S01851	S01851	S01851
**15	FRAME	R03778	R03778	R03778	R03778	R03778	R03778	R03778
**16	JOINT PIN	S01207	S01207	S01207	S01207	S01207	S01207	S01207
17	RELEASE LEVER	S01203	S01203	S01203	S01203	S01203	S01203	S01203
18	FIRING PIN	R00266	R00266	R00266	R00266	R00266	R00266	R00266
19	SPRING-FIRING PIN	S01697	S01697	S01697	S01697	S01697	S01697	S01697
20	RELEASE LEVER PIN	S02161	S02161	S02161	S02161	S02161	S02161	S02161
**21	BARREL CATCH	S03643	S03643	S03643	S03643	S03643	S03643	S03643
22	STRIKER	S02043	S02043	S02043	S02043	S02043	S02043	S02043
23	LIFTER SPRING	S01693	S01693	S01693	S01693	S01693	S01693	S01693
24	HAMMER EXTENSION	N/A	N/A	S01461	S01461	S01461	S01461	S01461
*25	HAMMER	S01202	S01202	S01202	S01202	S01202	S01202	S01202
26	HAMMER SPRING	S01691	S01691	S01691	S01691	S01691	S01691	S01691
27	TRIGGER GRD. PIN	S01670	S01670	S01670	S01670	S01670	S01670	S01670
28	TRIGGER GRD.	S01204	S01204	S01204	S01204	S01204	S01204	S01204
29	BARREL CATCH SPRING	S04006	S04006	S04006	S04006	S04006	S04006	S04006
*30	TRIGGER	S01205	S01205	S01205	S01205	S01205	S01205	S01205
31	TRIG. EXTEN PIN	S01191	S01191	S01191	S01191	S01191	S01191	S01191
*32	TRIG EXTENSION	S01221	S01221	S01221	S01221	S01221	S01221	S01221
33	SPRING TRIGGER	S04005	S04005	S04005	S04005	S04005	S04005	S04005
34	HRM, TRIG, & CTCH PIN	S02160	S02160	S02160	S02160	S02160	S02160	S02160
35	VIEW HOLE PIN	S03636	S03636	S03636	S03636	S03636	S03636	S03636
***36	STOCK	S02164	S02164	R02700	R02700	R02700	R02700	R02700
37	SCREW TANG	S01723	S01723	S01723	S01723	S01723	S01723	S01723
38	WASHER TANG SCREW	S01755	S01755	S01755	S01755	S01755	S01755	S01755
39	N/A	N/A	N/A	N/A	N/A	N/A	N/A	N/A
40	N/A	N/A	N/A	N/A	N/A	N/A	N/A	N/A
*41	TRIGGER GUARD ASS'Y.	S02197	S02197	S02197	S02197	S02197	S02197	S02197
**42	BRL. CATCH STRIKER ASS'Y.	S02042	S02042	S02042	S02042	S02042	S02042	S02042
43	SCOPE KIT	N/A	N/A	N/A	N/A	N/A	N/A	N/A

ILL. NO.	PART NAME	HANDI-RIFLE SBS-SY5 243 WIN W/SCOPE	HANDI-RIFLE SB2-SL5 243 WIN	HANDI-RIFLE SB2-SY4 22 HORNET	HANDI-RIFLE SB2-SY3 223 REM	HANDI-RIFLE SB2-SY5 243 WIN
**1	BARREL	R02631	R02631	R02595	R02627	R02626
2	SIGHT-FRONT	N/A	N/A	R03873	R03873	R03873
3	BASE, REAR SIGHT	N/A	N/A	R03224	R03224	R03224
3	BLADE-REAR SIGHT	N/A	N/A	R03819	R03819	R03819
3	SLIDE-REAR SIGHT	N/A	N/A	R03820	R03820	R03820
4	FILLER SCREW	N/A	N/A	R03102	R03102	R03102
5	EXTRACTOR	R03686	R03686	R03834	R03828	R03686
6	EXTRACTOR SPRING	R03445	R03445	R03445	R03445	R03445
7	PIN EJECTOR LATCH	S01676	S01676	S01676	S01676	S01676
8	EXTRACTOR CAM	R03351	R03351	R03351	R03351	R03351
***9	FOREND	S02165	S02165	S02165	S02165	S02165
10	SPACER RING, FOREND	S02641	S02641	S02641	S02641	S02641
11	PIN EJECTOR STOP	S01677	S01677	S01677	S01677	S01677
12	SCREW FRD.	S03152	S03152	S03152	S03152	S03152
13	SCOPE BASE	R01331	R01331	N/A	N/A	N/A
14	SWIVEL STUD	S01851	S01851	S01851	S01851	S01851
**15	FRAME	R02198	R02198	R02198	R02198	R02198
**16	JOINT PIN	S01207	S01207	S01207	S01207	S01207
17	RELEASE LEVER	S01203	S01203	S01203	S01203	S01203
18	FIRING PIN	R00266	R00266	R00266	R00266	R00266
19	SPRING-FIRING PIN	S01697	S01697	S01697	S01697	S01697
20	RELEASE LEVER PIN	S02161	S02161	S02161	S02161	S02161
**21	BARREL CATCH	S03643	S03643	S03643	S03643	S03643
22	STRIKER	S02043	S02043	S02043	S02043	S02043
23	LIFTER SPRING	S01693	S01693	S01693	S01693	S01693
24	HAMMER EXTENSION	S01461	S01461	N/A	N/A	N/A
*25	HAMMER	S01202	S01202	S01202	S01202	S01202
26	HAMMER SPRING	S01691	S01691	S01691	S01691	S01691
27	TRIGGER GRD. PIN	S01670	S01670	S01670	S01670	S01670
28	TRIGGER GRD.	S01204	S01204	S01204	S01204	S01204
29	BARREL CATCH SPRING	S04006	S04006	S04006	S04006	S04006
*30	TRIGGER	S01205	S01205	S01205	S01205	S01205
31	TRIG EXTEN PIN	S01191	S01191	S01191	S01191	S01191
*32	TRIG EXTENSION	S01221	S01221	S01221	S01221	S01221
33	SPRING TRIGGER	S04005	S04005	S04005	S04005	S04005
34	HMR, TRIG, & CTCH PIN	S02160	S02160	S02160	S02160	S02160
35	VIEW HOLE PIN	S03636	S03636	S03636	S03636	S03636
***36	STOCK	R02635	R02700	R02635	R02635	R02635
37	SCREW TANG	S01723	S01723	S01723	S01723	S01723
38	WASHER TANG SCREW	S01755	S01755	S01755	S01755	S01755
39	N/A	N/A	N/A	N/A	N/A	N/A
40	N/A	N/A	N/A	N/A	N/A	N/A
*41	TRIGGER GUARD ASS'Y.	S02197	S02197	S02197	S02197	S02197
**42	BRL. CATCH STRIKER ASS'Y.	S02042	S02042	S02042	S02042	S02042
43	SCOPE KIT	S03914	N/A	N/A	N/A	N/A



Harrington &
Richardson

Manufactured by: H&R 1871, LLC • 60 Industrial Rowe, Gardner, MA 01440 U.S.A. • www.hr1871.com