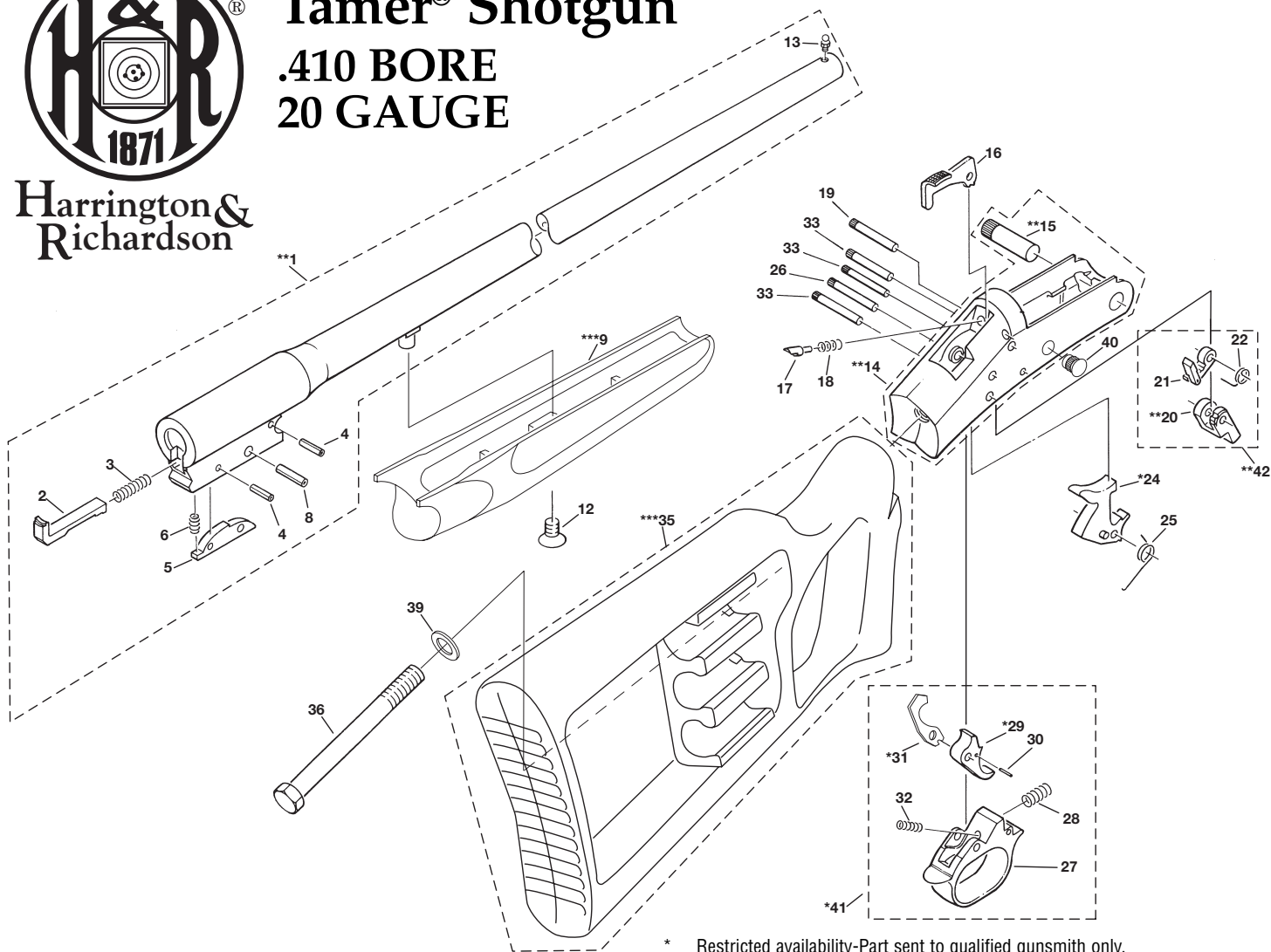




Tamer® Shotgun

.410 BORE 20 GAUGE

Harrington &
Richardson



- * Restricted availability-Part sent to qualified gunsmith only.
- ** Restricted availability-Parts installed at factory only.
- *** Non-restricted availability-Part may require some final fitting sanding or filing.

ILL. NO.	PART NAME	TAMER SB1-SNK 410 BORE	TAMER 20 SB1-SN2 20 GAUGE
**1	BARREL.....	S00622	S03761
2	EJECTOR	S02705	S02703
3	EJECTOR SPRING	S01695	S01695
4	PIN-EJECTOR LATCH	S01676	S01676
5	EJECTOR LATCH.....	S01208	S01208
6	SPRING EJECTOR LATCH.....	S01696	S01696
7	SCOPE BASE.....	N/A	N/A
8	EJECTOR STOP PIN	S01677	S01677
***9	FOREND	S02209	S02209
10	FOREND SPACER	N/A	N/A
11	SCREW-FOREND SPCR.	N/A	N/A
12	SCREW FRD.	S01279	S01279
13	SIGHT-FRONT.....	S03433	S03432
**14	FRAME	S02210	S02210
**15	JOINT PIN	S01207	S01207
16	RELEASE LEVER	S01203	S01203
17	FIRING PIN.....	S01671	S01671
18	SPRING-FIRING PIN.....	S01697	S01697
19	RELEASE LEVER PIN	S02161	S02161
**20	BARREL CATCH	S03643	S03643
21	STRIKER	S02043	S02043
22	LIFTER SPRING.....	S01693	S01693

ILL. NO.	PART NAME	TAMER SB1-SNK 410 BORE	TAMER 20 SB1-SN2 20 GAUGE
23	SLING-ACCESSORY	N/A	N/A
*24	HAMMER	S01202	S01202
25	HAMMER SPRING	S01691	S01691
26	TRIGGER GRD. PIN	S01670	S01670
27	TRIGGER GRD.	S01204	S01204
28	BARREL CATCH SPRING.....	S04006	S04006
*29	TRIGGER.....	S01205	S01205
30	TRIG EXTEN PIN	S01191	S01191
*31	TRIG EXTENSION	S01221	S01221
32	SPRING TRIGGER.....	S04005	S04005
33	HMR, TRIG & CTCH PIN	S02160	S02160
34	SWIVEL ASS'Y.....	N/A	N/A
***35	STOCK.....	S02204	S03760
36	SCREW TANG.....	S01349	S01349
37	RECOIL PAD	N/A	N/A
38	SCREW-BUTT PLATE.....	N/A	N/A
39	WASHER TANG SCREW	S01755	S01755
40	VIEW HOLE PIN.....	S03636	S03636
*41	TRIGGER GUARD ASS'Y.....	S02197	S02197
**42	BRL. CATCH STRIKER ASS'Y	S02042	S02042
43	HAMMER EXTENSION	N/A	N/A
44	SCOPE KIT	N/A	N/A