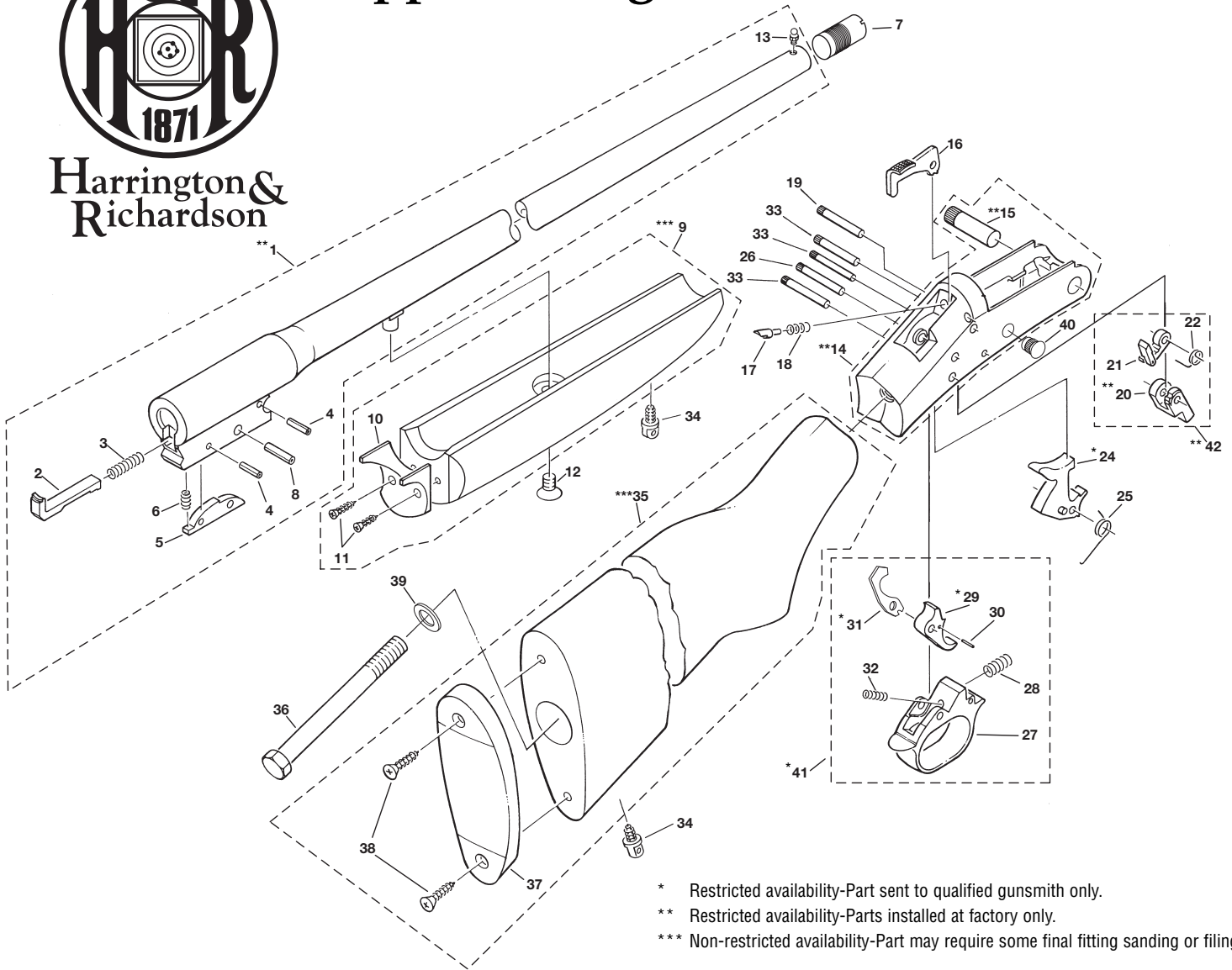




# Topper® Shotgun



- \* Restricted availability-Part sent to qualified gunsmith only.
- \*\* Restricted availability-Parts installed at factory only.
- \*\*\* Non-restricted availability-Part may require some final fitting sanding or filing.

ILL. NO.	PART NAME
**1	.BARREL
2	.EJECTOR
3	.EJECTOR SPRING
4	.PIN EJECTOR LATCH
5	.EJECTOR LATCH
6	.SPRING EJECTOR LATCH
7	.CHOKE
8	.EJECTOR STOP PIN
***9	.FOREND
10	.SPACER-FOREND
11	.SCREW-FOREND SPCR.
12	.SCREW-FRD.-SHORT
13	.SIGHT-FRONT
**14	.FRAME
**15	.JOINT PIN
16	.RELEASE LEVER
17	.FIRING PIN
18	.SPRING-FIRING PIN
19	.RELEASE LEVER PIN
**20	.BARREL CATCH
21	.STRIKER
22	.LIFTER SPRING

ILL. NO.	PART NAME
23	.N/A
*24	.HAMMER
25	.HAMMER SPRING
26	.TRIGGER GRD. PIN
27	.TRIGGER GRD.
28	.BARREL CATCH SPRING
*29	.TRIGGER
30	.TRIG. EXTEN PIN
*31	.TRIG EXTENSION
32	.SPRING TRIGGER
33	.HMR., TRIG, & CATCH PIN
34	.N/A
***35	.STOCK
36	.SCREW TANG
37	.BUTT PLATE
37	.RECOIL PAD
38	.SCREW BUTT PLATE
39	.WASHER TANG SCREW
40	.VIEW HOLE PIN
*41	.TRIGGER GUARD ASS'Y.
**42	.BRL. CATCH STRIKER ASS'Y.



ILL. NO.	PART NAME	TOPPER SB1-498 410 Bore	TOPPER JUNIOR SB1-258 20 GAUGE	TOPPER JUNIOR SB1-458 410 Bore	TOPPER JUNIOR CLASSIC SB1-288 20 GAUGE	TOPPER JUNIOR CLASSIC SB1-488 410 Bore
**1	BARREL	S00956	S00981	S00969	S00976	S00978
2	EJECTOR	S02705	S02703	S02705	S02703	S02705
3	EJECTOR SPRING	S01695	S01695	S01695	S01695	S01695
4	PIN EJECTOR LATCH	S01676	S01676	S01676	S01676	S01676
5	EJECTOR LATCH	S01208	S01208	S01208	S01208	S01208
6	SPRING EJECTOR LATCH	S01696	S01696	S01696	S01696	S01696
7	CHOKE	N/A	N/A	N/A	N/A	N/A
8	EJECTOR STOP PIN	S01677	S01677	S01677	S01677	S01677
**9	FOREND	S00921	S00921	S00921	S02121	S02121
10	SPACER-FOREND	S01201	S01201	S01201	S01201	S01201
11	SCREW-FOREND SPCR.	S00146	S00146	S00146	S00146	S00146
12	SCREW FRD.-SHORT	S01279	S01279	S01279	S01279	S01279
13	SIGHT-FRONT	S03432	S03432	S03433	S03432	S03433
*14	FRAME	S00698	S00698	S00698	S00695	S00695
*15	JOINT PIN	S01207	S01207	S01207	S01207	S01207
16	RELEASE LEVER	S01203	S01203	S01203	S01203	S01203
17	FIRING PIN	S01671	S01671	S01671	S01671	S01671
18	SPRING-FIRING PIN	S01697	S01697	S01697	S01697	S01697
19	RELEASE LEVER PIN	S02161	S02161	S02161	S02161	S02161
*20	BARREL CATCH	S03643	S03643	S03643	S03643	S03643
21	STRIKER	S02043	S02043	S02043	S02043	S02043
22	LIFTER SPRING	S01693	S01693	S01693	S01693	S01693
23	N/A	N/A	N/A	N/A	N/A	N/A
*24	HAMMER	S01202	S01202	S01202	S01202	S01202
25	HAMMER SPRING	S01691	S01691	S01691	S01691	S01691
26	TRIGGER GRD. PIN	S01670	S01670	S01670	S01670	S01670
27	TRIGGER GRD.	S01204	S01204	S01204	S01204	S01204
28	BARREL CATCH SPRING	S04006	S04006	S04006	S04006	S04006
*29	TRIGGER	S01205	S01205	S01205	S01205	S01205
30	TRIG. EXTEN PIN	S01191	S01191	S01191	S01191	S01191
*31	TRIG EXTENSION	S01221	S01221	S01221	S01221	S01221
32	SPRING TRIGGER	S04005	S04005	S04005	S04005	S04005
33	HMR., TRIG. & CATCH PIN	S02160	S02160	S02160	S02160	S02160
34	N/A	N/A	N/A	N/A	N/A	N/A
**35	STOCK	S00892	S00923	S00923	S00979	S00979
36	SCREW TANG	S01723	S01723	S01723	S01723	S01723
37	BUTT PLATE	S01994	N/A	N/A	N/A	N/A
37	RECOIL PAD	N/A	S00423	S00423	S00423	S00423
38	SCREW BUTT PLATE	S01722	S01722	S01722	S01722	S01722
39	WASHER TANG SCREW	S01755	S01755	S01755	S01755	S01755
40	VIEW HOLE PIN	S03636	S03636	S03636	S03636	S03636
*41	TRIGGER GUARD ASS'Y.	S02197	S02197	S02197	S02197	S02197
*42	BRL. CATCH STRIKER ASS'Y.	S02042	S02042	S02042	S02042	S02042



Harrington &  
Richardson

Manufactured by: H&R 1871, LLC • 60 Industrial Rowe, Gardner, MA 01440 U.S.A. • [www.hr1871.com](http://www.hr1871.com)