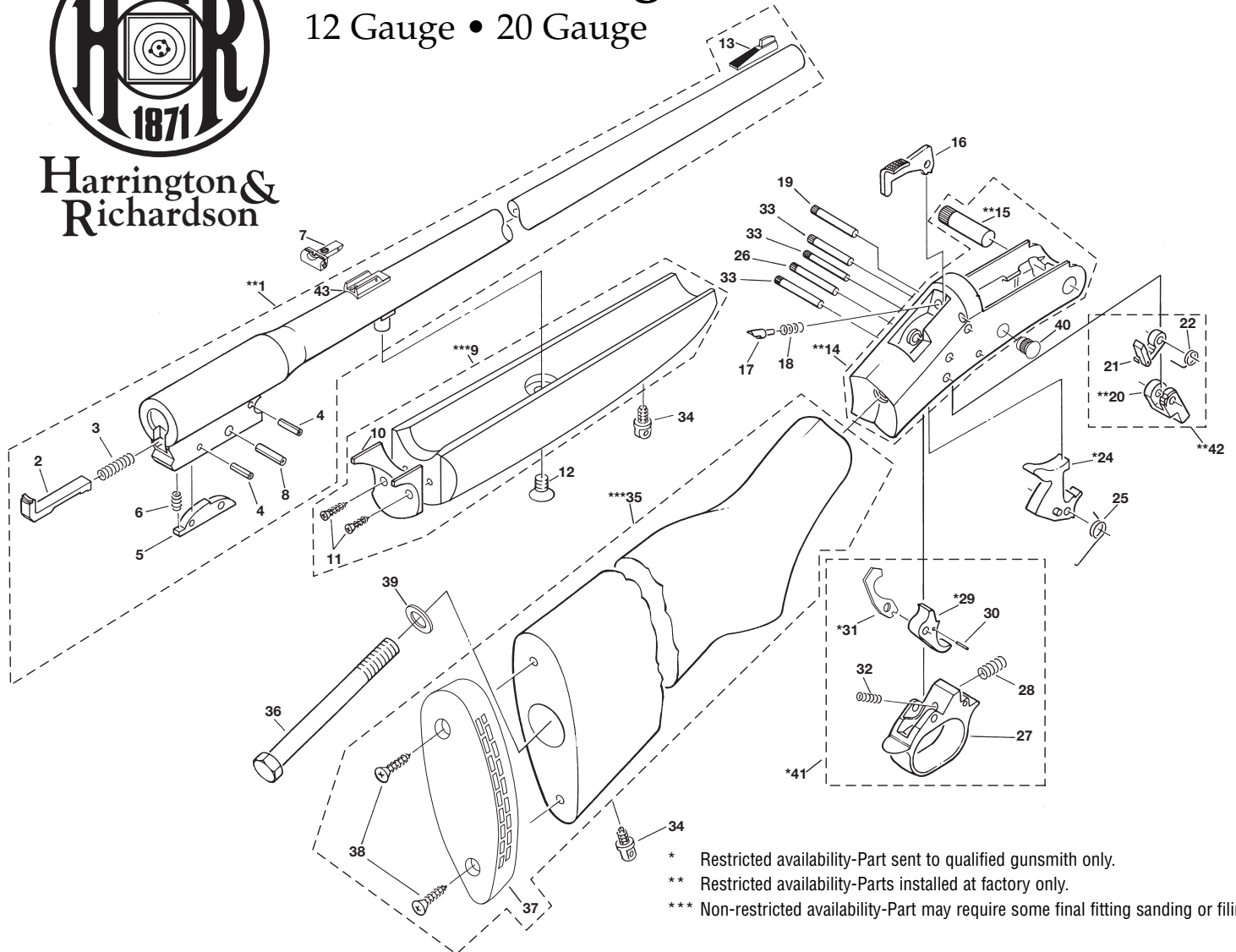




Harrington &
Richardson

Tracker II Slug Gun

12 Gauge • 20 Gauge



* Restricted availability-Part sent to qualified gunsmith only.
 ** Restricted availability-Parts installed at factory only.
 *** Non-restricted availability-Part may require some final fitting sanding or filing.

ILL. NO.	PART NAME	TRACKER II SLUG SB1-014 12 GAUGE	TRACKER II SLUG SB1-024 20 GAUGE	ILL. NO.	PART NAME	TRACKER II SLUG SB1-014 12 GAUGE	TRACKER II SLUG SB1-024 20 GAUGE
**1	BARREL.....	S00958	S00959	22	LIFTER SPRING.....	S01693	S01693
2	EJECTOR.....	S02692	S02703	23	N/A.....	N/A	N/A
3	EJECTOR SPRING.....	S01695	S01695	*24	HAMMER ASS'Y.....	S01202	S01202
4	PIN EJECTOR LATCH.....	S01676	S01676	25	HAMMER SPRING.....	S01691	S01691
5	EJECTOR LATCH.....	S01208	S01208	26	TRIGGER GRD. PIN.....	S01670	S01670
6	SPRING EJECTOR LATCH.....	S01696	S01696	27	TRIGGER GRD.....	S01204	S01204
7	REAR SIGHT ASS'Y.....	S02028	S02028	28	BARREL CATCH SPRING.....	S04006	S04006
8	EJECTOR STOP PIN.....	S01677	S01677	*29	TRIGGER.....	S01205	S01205
***9	FOREND.....	S00886	S00886	30	TRIG EXTEN PIN.....	S01191	S01191
10	SPACER-FOREND.....	S01201	S01201	*31	TRIG EXTENSION.....	S01221	S01221
11	SCREW-FOREND SPCR.....	S00146	S00146	32	SPRING TRIGGER.....	S04005	S04005
12	SCREW FRD.-SHORT.....	S01279	S01279	33	HMR, TRIG, & CATCH PIN.....	S02160	S02160
13	SIGHT-FRONT.....	S01222	S01231	34	SWIVEL.....	S01851	S01851
14	FRAME.....	S00672	S00672	*35	STOCK.....	S00876	S00876
**15	JOINT PIN FINISH.....	S01207	S01207	36	SCREW TANG.....	S01723	S01723
16	RELEASE LEVER.....	S01203	S01203	37	RECOIL PAD.....	S00423	S00423
17	FIRING PIN.....	S01671	S01671	38	SCREW BUTT PLATE.....	S01722	S01722
18	SPRING-FIRING PIN.....	S01697	S01697	39	WASHER TANG SCREW.....	S01755	S01755
19	RELEASE LEVER PIN.....	S02161	S02161	40	VIEW HOLE PIN.....	S03636	S03636
**20	BARREL CATCH.....	S03643	S03643	*41	TRIGGER GUARD ASS'Y.....	S02197	S02197
21	STRIKER ASS'Y.....	S02043	S02043	**42	BRL. CATCH STRIKER ASS'Y.....	S02042	S02042
				43	BASE, REAR SIGHT.....	R01175	R01175