

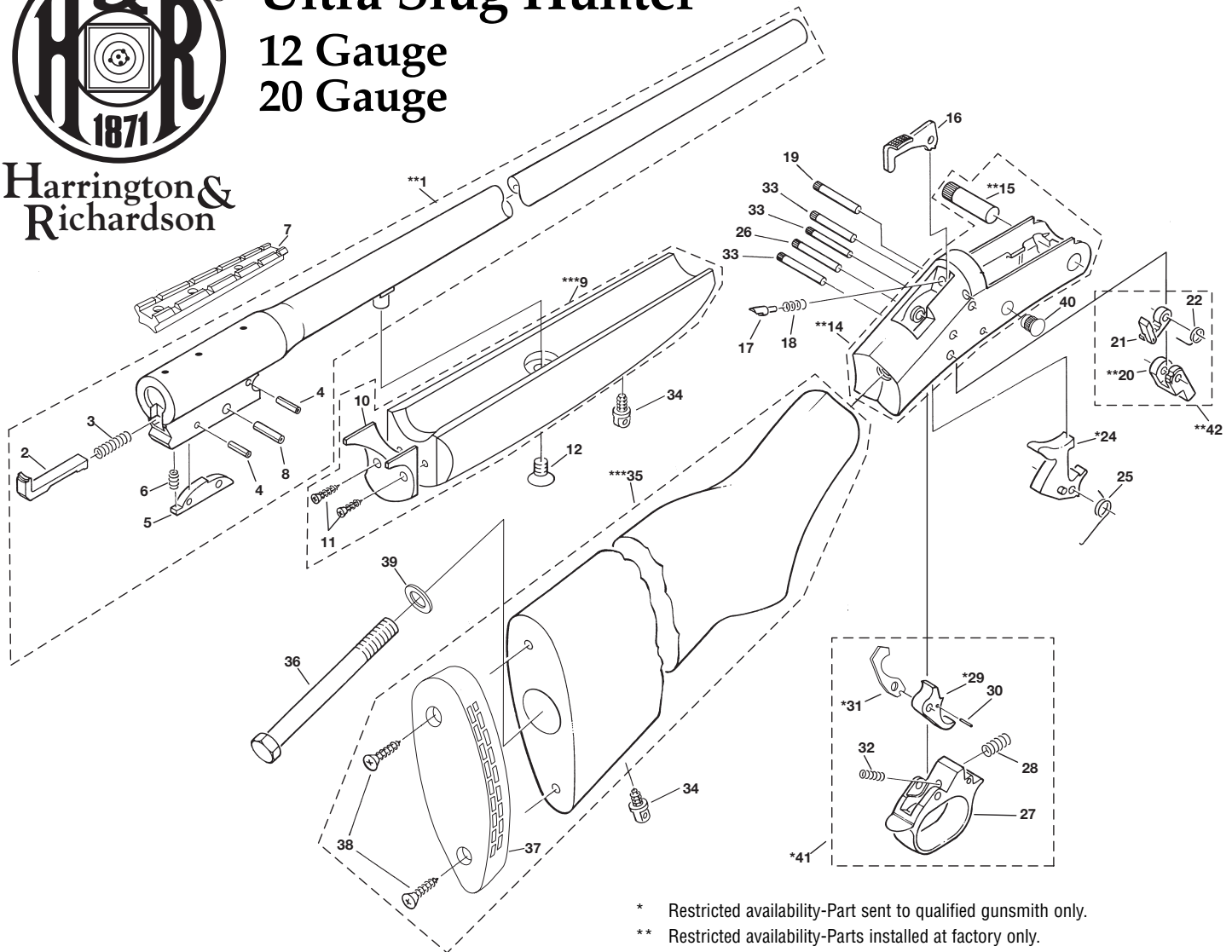


Ultra Slug Hunter

12 Gauge

20 Gauge

Harrington &
Richardson



- * Restricted availability-Part sent to qualified gunsmith only.
- ** Restricted availability-Parts installed at factory only.
- *** Non-restricted availability-Part may require some final fitting sanding or filing.

ILL. NO.	PART NAME
**1	.BARREL
2	.EJECTOR
3	.EJECTOR SPRING
4	.PIN-EJECTOR LATCH
5	.EJECTOR LATCH
6	.SPRING EJECTOR LATCH
7	.SCOPE BASE
8	.EJECTOR STOP PIN
***9	.FOREND
10	.FOREND SPACER
11	.SCREW-FOREND SPCR.
12	.SCREW-FRD.
13	.N/A
**14	.FRAME
**15	.JOINT PIN
16	.RELEASE LEVER
17	.FIRING PIN
18	.SPRING-FIRING PIN
19	.RELEASE LEVER PIN
**20	.BARREL CATCH
21	.STRIKER
22	.LIFTER SPRING

ILL. NO.	PART NAME
23	.SLING-ACCESSORY (Not Shown)
*24	.HAMMER
25	.HAMMER SPRING
26	.TRIGGER GRD. PIN
27	.TRIGGER GRD.
28	.BARREL CATCH SPRING
*29	.TRIGGER
30	.TRIG. EXTEN PIN
*31	.TRIG EXTENSION
32	.SPRING TRIGGER
33	.HMR, TRIG & CTCH PIN
34	.SWIVEL ASS'Y.
***35	.STOCK
36	.SCREW TANG
37	.RECOIL PAD
38	.SCREW-BUTT PLATE
39	.WASHER TANG SCREW
40	.VIEW HOLE PIN
*41	.TRIGGER GUARD ASS'Y.
**42	.BRL. CATCH STRIKER ASS'Y.
43	.HAMMER EXTENSION (Not Shown)
44	.SCOPE KIT (Not Shown)

ILL. NO.	PART NAME	ULTRA SLUG HUNTER SB2-980 12 GAUGE	ULTRA SLUG HUNTER SBS-980 12 GAUGE W/SCOPE	ULTRA SLUG HUNTER SB1-920 20 GAUGE	ULTRA SLUG HUNTER YOUTH SB1-925 20 GAUGE	ULTRA SLUG HUNTER DELUXE SB2-988 12 GAUGE	ULTRA SLUG HUNTER DELUXE SB1-928 20 GAUGE
**1	BARREL	S02376	S02376	S00359	S00325	S02376	S00359
2	EJECTOR	S02701	S02701	S02703	S02703	S02701	S02703
3	EJECTOR SPRING	S01695	S01695	S01695	S01695	S01695	S01695
4	PIN-EJECTOR LATCH	S01676	S01676	S01676	S01676	S01676	S01676
5	EJECTOR LATCH	S01208	S01208	S01208	S01208	S01208	S01208
6	SPRING EJECTOR LATCH	S01696	S01696	S01696	S01696	S01696	S01696
7	SCOPE BASE	R01331	R01331	R01331	R01331	R01331	R01331
8	EJECTOR STOP PIN	S01677	S01677	S01677	S01677	S01677	S01677
**9	FOREND	S00713	S00713	S00357	S00357	S02588	S02587
10	FOREND SPACER	S00427	S00427	S01201	S01201	S00427	S01201
11	SCREW-FOREND SPCR.	S00146	S00146	S00146	S00146	S00146	S00146
12	SCREW FRD.	S01279	S01279	S01279	S01279	S01279	S01279
13	SIGHT-FRONT	N/A	N/A	N/A	N/A	N/A	N/A
**14	FRAME	S02040	S02040	S02441	S02441	S02040	S02441
**15	JOINT PIN	S01207	S01207	S01207	S01207	S01207	S01207
16	RELEASE LEVER	S01203	S01203	S01203	S01203	S01203	S01203
17	FIRING PIN	S01671	S01671	S01671	S01671	S01671	S01671
18	SPRING-FIRING PIN	S01697	S01697	S01697	S01697	S01697	S01697
19	RELEASE LEVER PIN	S02161	S02161	S02161	S02161	S02161	S02161
**20	BARREL CATCH	S03643	S03643	S03643	S03643	S03643	S03643
**21	STRIKER	S02043	S02043	S02043	S02043	S02043	S02043
22	LIFTER SPRING	S01693	S01693	S01693	S01693	S01693	S01693
23	SLING-ACCESSORY	R01848	R01848	R01848	R01848	R01848	R01848
*24	HAMMER	S01202	S01202	S01202	S01202	S01202	S01202
25	HAMMER SPRING	S01691	S01691	S01691	S01691	S01691	S01691
26	TRIGGER GRD. PIN	S01670	S01670	S01670	S01670	S01670	S01670
27	TRIGGER GRD.	S01204	S01204	S01204	S01204	S01204	S01204
28	BARREL CATCH SPRING	S04006	S04006	S04006	S04006	S04006	S04006
*29	TRIGGER	S01205	S01205	S01205	S01205	S01205	S01205
30	TRIG EXTEN PIN	S01191	S01191	S01191	S01191	S01191	S01191
*31	TRIG EXTENSION	S01221	S01221	S01221	S01221	S01221	S01221
32	SPRING TRIGGER	S04005	S04005	S04005	S04005	S04005	S04005
33	HMR, TRIG & CTCH PIN	S02160	S02160	S02160	S02160	S02160	S02160
34	SWIVEL ASS'Y.	R01853	R01853	R01853	R01853	R01853	R01853
**35	STOCK	R00603	R00603	R00603	R02619	R02564	R02564
36	SCREW TANG	S01723	S01723	S01723	S01723	S01723	S01723
37	RECOIL PAD	S00423	S00423	S00423	S00423	S00423	S00423
38	SCREW-BUTT PLATE	S01722	S01722	S01722	S01722	S01722	S01722
39	WASHER TANG SCREW	S01755	S01755	S01755	S01755	S01755	S01755
40	VIEW HOLE PIN	S03636	S03636	S03636	S03636	S03636	S03636
*41	TRIGGER GUARD ASS'Y.	S02197	S02197	S02197	S02197	S02197	S02197
**42	BRL. CATCH STRIKER ASS'Y.	S02042	S02042	S02042	S02042	S02042	S02042
43	HAMMER EXTENSION	S01461	S01461	S01461	S01461	S01461	S01461
44	SCOPE KIT	N/A	S03914	N/A	N/A	N/A	N/A



Harrington &
Richardson

Manufactured by: H&R 1871, LLC • 60 Industrial Rowe, Gardner, MA 01440 U.S.A. • www.hr1871.com