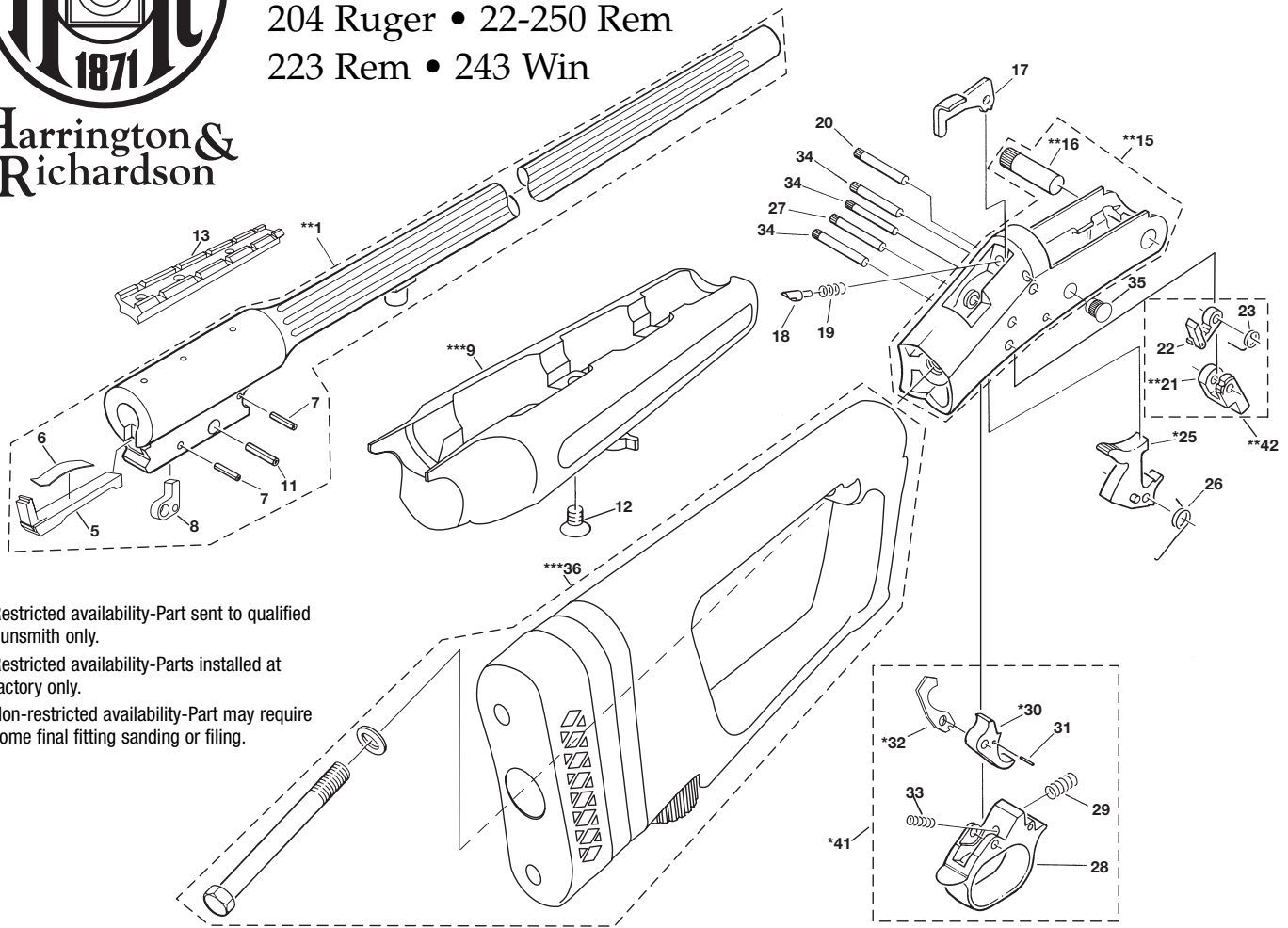




# Ultra Varmint Fluted Rifle

204 Ruger • 22-250 Rem  
223 Rem • 243 Win

Harrington &  
Richardson



\* Restricted availability-Part sent to qualified gunsmith only.

\*\* Restricted availability-Parts installed at factory only.

\*\*\* Non-restricted availability-Part may require some final fitting sanding or filing.

ILL. NO.	PART NAME
**1	.BARREL
2	.N/A
3	.N/A
4	.N/A
5	.EXTRACTOR
6	.EXTRACTOR SPRING
7	.PIN EJECTOR LATCH
8	.CAM EXTRACTOR
***9	.FOREND
10	.N/A
11	.EJECTOR STOP PIN
12	.SCREW-FRD.
13	.SCOPE BASE
14	.N/A
**15	.FRAME
**16	.JOINT PIN
17	.RELEASE LEVER
18	.FIRING PIN
19	.SPRING-FIRING PIN
20	.RELEASE LEVER PIN
**21	.BARREL CATCH
22	.STRIKER

ILL. NO.	PART NAME
23	.LIFTER SPRING
24	.N/A
*25	.HAMMER
26	.HAMMER SPRING
27	.TRIGGER GRD. PIN
28	.TRIGGER GRD.
29	.BARREL CATCH SPRING
*30	.TRIGGER
31	.TRIG. EXTEN PIN
*32	.TRIG EXTENSION
33	.SPRING TRIGGER
34	.HMR, TRIG & CTCH PIN
35	.VIEW HOLE PIN
***36	.STOCK
37	.N/A
38	.N/A
39	.N/A
40	.N/A
*41	.TRIGGER GUARD ASS'Y.
**42	.BRL. CATCH STRIKER ASS'Y.
43	.N/A
44	.HAMMER EXTENSION (NOT SHOWN)

ILL. NO.	PART NAME	ULTRA VARMINT FLUTED SB2-F20 204 RUGER	ULTRA VARMINT FLUTED SB2-F22 22-250 REM	ULTRA VARMINT FLUTED SB2-F23 223 REM	ULTRA VARMINT FLUTED SB2-F43 243 WIN
**1	BARREL	R03461	R03464	R03457	R03844
2	N/A	N/A	N/A	N/A	N/A
3	SPRING EJECTOR	N/A	N/A	N/A	N/A
4	N/A	N/A	N/A	N/A	N/A
5	EXTRACTOR	R03828	R03686	R03828	R03686
5b	EJECTOR	N/A	N/A	N/A	N/A
6	EXTRACTOR SPRING	R03445	R03445	R03445	R03445
6b	SPRING EJECTOR LATCH	N/A	N/A	N/A	N/A
7	PIN EJECTOR LATCH	S01676	S01676	S01676	S01676
8	CAM EXTRACTOR	R03351	R03351	R03351	R03351
8b	EJECTOR LATCH	N/A	N/A	N/A	N/A
***9	FOREND	R03465	R03465	R03465	R03465
10	FOREND SPACER	N/A	N/A	N/A	N/A
11	EJECTOR STOP PIN	S01677	S01677	S01677	S01677
12	SCREW FRD.	S01279	S01279	S01279	S01279
13	SCOPE BASE	R00503	R00503	R00503	R00503
14	SWIVEL ASS'Y.	N/A	N/A	N/A	N/A
**15	FRAME	R02198	R02198	R02198	R02198
**16	JOINT PIN	S01207	S01207	S01207	S01207
17	RELEASE LEVER	S01203	S01203	S01203	S01203
18	FIRING PIN	R00266	R00266	R00266	R00266
19	SPRING-FIRING PIN	S01697	S01697	S01697	S01697
20	RELEASE LEVER PIN	S02161	S02161	S02161	S02161
**21	BARREL CATCH	S03643	S03643	S03643	S03643
22	STRIKER	S02043	S02043	S02043	S02043
23	LIFTER SPRING	S01693	S01693	S01693	S01693
24	N/A	N/A	N/A	N/A	N/A
*25	HAMMER	S01202	S01202	S01202	S01202
26	HAMMER SPRING	S01691	S01691	S01691	S01691
27	TRIGGER GRD. PIN	S01670	S01670	S01670	S01670
28	TRIGGER GRD.	S01204	S01204	S01204	S01204
29	BARREL CATCH SPRING	S04006	S04006	S04006	S04006
*30	TRIGGER	S01205	S01205	S01205	S01205
31	TRIG EXTEN PIN	S01191	S01191	S01191	S01191
*32	TRIG EXTENSION	S01221	S01221	S01221	S01221
33	SPRING TRIGGER	S04005	S04005	S04005	S04005
34	HMR, TRIG & CTCH PIN	S02160	S02160	S02160	S02160
35	VIEW HOLE PIN	S03636	S03636	S03636	S03636
***36	STOCK	R03466	R03466	R03466	R03466
37	SCREW TANG	N/A	N/A	N/A	N/A
38	WASHER TANG SCREW	N/A	N/A	N/A	N/A
39	RECOIL PAD	N/A	N/A	N/A	N/A
40	SCREW-BUTT PLATE	N/A	N/A	N/A	N/A
*41	TRIGGER GUARD ASS'Y.	S02197	S02197	S02197	S02197
**42	BRL. CATCH STRIKER ASS'Y.	S02042	S02042	S02042	S02042
43	SCREW-FOREND SPCR.	N/A	N/A	N/A	N/A
44	HAMMER EXTENSION	S01461	S01461	S01461	S01461



Harrington &  
Richardson

Manufactured by: H&R 1871, LLC • 60 Industrial Rowe, Gardner, MA 01440 U.S.A. • [www.hr1871.com](http://www.hr1871.com)