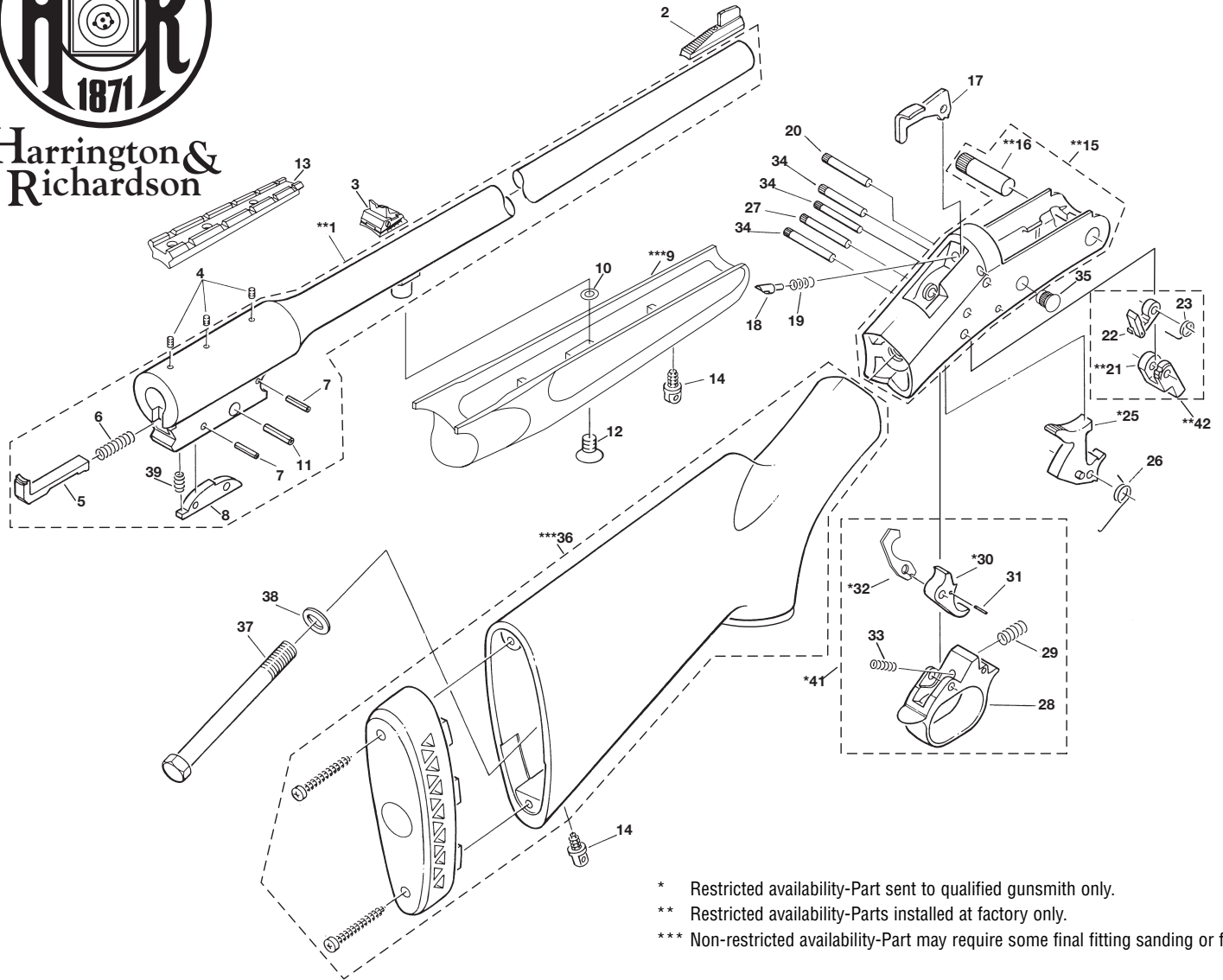




Harrington &
Richardson

Sportster™/Versa Pack™



ILL. NO.	PART NAME
**1	BARREL
2	SIGHT-FRONT
3	DOVETAIL-REAR SIGHT
3	ELEVATOR-REAR SIGHT
4	DELFIN FILLER SCREW
5	EJECTOR
6	EJECTOR SPRING
7	PIN EJECTOR LATCH
8	EJECTOR LATCH
***9	FOREND
10	SPACER RING-FOREND
11	EJECTOR STOP PIN
12	SCREW-FRD.
13	SCOPE BASE
14	SWIVEL STUD
**15	FRAME
**16	JOINT PIN
17	RELEASE LEVER
18	FIRING PIN
19	SPRING-FIRING PIN
20	RELEASE LEVER PIN
**21	BARREL CATCH
22	STRIKER

ILL. NO.	PART NAME
23	LIFTER SPRING
24	HAMMER EXTENSION (NOT SHOWN)
*25	HAMMER
26	HAMMER SPRING
27	TRIGGER GRD. PIN
28	TRIGGER GRD.
29	BARREL CATCH SPRING
*30	TRIGGER
31	TRIG. EXTEN PIN
*32	TRIG EXTENSION
33	SPRING TRIGGER
34	HMR, TRIG & CTCH PIN
35	VIEW HOLE PIN
***36	STOCK
37	SCREW TANG
38	WASHER TANG SCREW
39	SPRING EJECTOR LATCH
40	BARREL SHROUD (NOT SHOWN)
*41	TRIGGER GUARD ASSY.
**42	BRL. CATCH STRIKER ASS'Y.
43	SHROUD SCREW (NOT SHOWN)

ILL. NO.	PART NAME	SPORTSTER 17	SPORTSTER 17	SPORTSTER	SPORTSTER	SPORTSTER	22/410	
		M2 RIMFIRE	HORNADY				SS1-022	SS1-Y22
		SS1-217	MAGNUM RIMFIRE	SS1-017	SS1-M22	SS1-Y22	22S, L, LR	410 BORE
		17 MACH 2	17 HMR	22S, L, R	22 WMR	22S, L, R		
**1	BARREL	R03264	R02954	R03811	R03810	R03811	R03232	S02779
2	SIGHT-FRONT	N/A	N/A	R03809	R03809	R03809	R03803	S03433
3	DOVETAIL-REAR SIGHT	N/A	N/A	R03651	R03651	R03651	R03651	N/A
3	ELEVATOR-REAR SIGHT	N/A	N/A	R03652	R03652	R03652	R03652	N/A
4	DELTRIN FILLER SCREW	N/A	N/A	R03102	R03102	R03102	R03102	
5	EJECTOR	R02809	R02809	R02809	R02809	R02809	R02908	S02705
6	EJECTOR SPRING	S01695	S01695	S01695	S01695	S01695	S01695	S01695
7	PIN EJECTOR LATCH	S01676	S01676	S01676	S01676	S01676	S01676	S01676
8	EJECTOR LATCH	S01208	S01208	S01208	S01208	S01208	S01208	S01208
***9	FOREND	S02165	S02165	S02165	S02165	S02165	S02209	
10	SPACER RING-FOREND	N/A	N/A	S02641	S02641	S02641	N/A	
11	EJECTOR STOP PIN	S01677	S01677	S01677	S01677	S01677	S01677	S01677
12	SCREW FRD.	S01279	S01279	S03152	S03152	S03152	S03152	
13	SCOPE BASE	R01331	R01331	N/A	N/A	N/A	N/A	
14	SWIVEL STUD	S01851	S01851	S01851	S01851	S01851	N/A	
**15	FRAME	R02728	R02728	R02728	R02728	R02728	S03649	
**16	JOINT PIN	S01207	S01207	S01207	S01207	S01207	S01207	
17	RELEASE LEVER	S01203	S01203	S01203	S01203	S01203	S01203	
18	FIRING PIN	R03341	R03341	R03341	R03341	R03341	R02845	
19	SPRING-FIRING PIN	S01697	S01697	S01697	S01697	S01697	S01697	
20	RELEASE LEVER PIN	S02161	S02161	S02161	S02161	S02161	S02161	
*21	BARREL CATCH	S03643	S03643	S03643	S03643	S03643	S03643	
22	STRIKER	S02043	S02043	S02043	S02043	S02043	S02043	
23	LIFTER SPRING	S01693	S01693	S01693	S01693	S01693	S01693	
24	HAMMER EXTENSION	S01461	S01461	N/A	N/A	N/A	N/A	
*25	HAMMER	S01202	S01202	S01202	S01202	S01202	S01202	
26	HAMMER SPRING	S01691	S01691	S01691	S01691	S01691	S01691	
27	TRIGGER GRD. PIN	S01670	S01670	S01670	S01670	S01670	S01670	
28	TRIGGER GRD.	S01204	S01204	S01204	S01204	S01204	S01204	
29	BARREL CATCH SPRING	S04006	S04006	S04006	S04006	S04006	S04006	
*30	TRIGGER	S01205	S01205	S01205	S01205	S01205	S01205	
31	TRIG EXTEN PIN	S01191	S01191	S01191	S01191	S01191	S01191	
*32	TRIG EXTENSION	S01221	S01221	S01221	S01221	S01221	S01221	
33	SPRING TRIGGER	S04005	S04005	S04005	S04005	S04005	S04005	
34	HMR, TRIG & CTCH PIN	S02160	S02160	S02160	S02160	S02160	S02160	
35	VIEW HOLE PIN	S03636	S03636	S03636	S03636	S03636	S03636	
***36	STOCK	R02700	R02700	S02164	S02164	R02635	R02634	
37	SCREW TANG	S01723	S01723	S01723	S01723	S01723	S01723	
38	WASHER TANG SCREW	S01755	S01755	S01755	S01755	S01755	S01755	
39	SPRING EJECTOR LATCH	S01696	S01696	S01696	S01696	S01696	S01696	S01696
40	BARREL SHROUD	N/A	N/A	N/A	N/A	N/A	R03585	
*41	TRIGGER GUARD ASS'Y.	S02197	S02197	S02197	S02197	S02197	S02197	
*42	BRL. CATCH STRIKER ASS'Y.	S02042	S02042	S02042	S02042	S02042	S02042	
43	SHROUD SCREW	N/A	N/A	N/A	N/A	N/A	R02971	



Harrington &
Richardson

Manufactured by: H&R 1871, LLC • 60 Industrial Rowe, Gardner, MA 01440 U.S.A. • www.hr1871.com