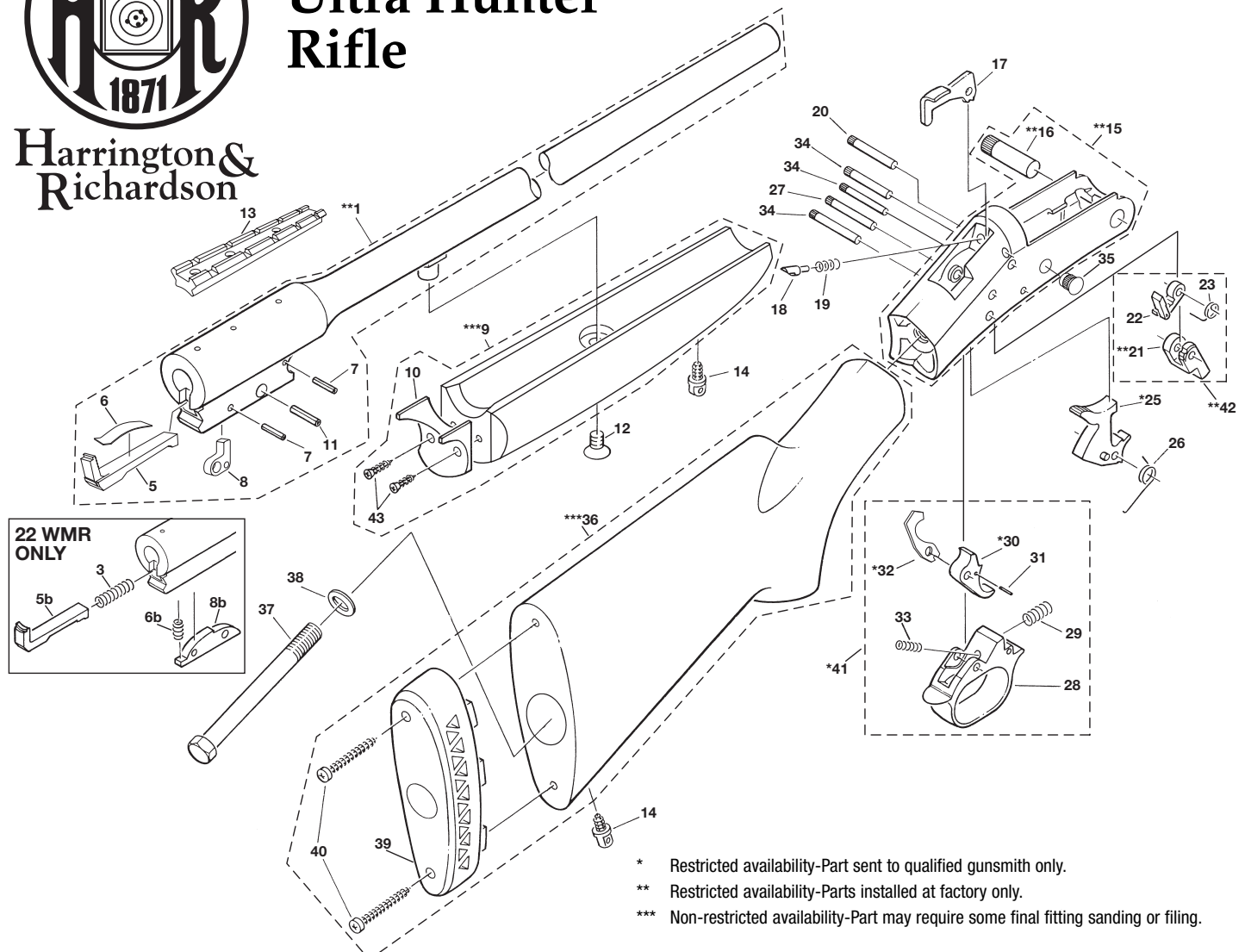




Harrington &
Richardson

Ultra Varmint/ Ultra Hunter Rifle



- * Restricted availability-Part sent to qualified gunsmith only.
- ** Restricted availability-Parts installed at factory only.
- *** Non-restricted availability-Part may require some final fitting sanding or filing.

ILL. NO.	PART NAME
**1	.BARREL
2	.N/A
3	.SPRING EJECTOR
4	.N/A
5	.EXTRACTOR
5b	.EJECTOR
6	.EXTRACTOR SPRING
6b	.SPRING EJECTOR LATCH
7	.PIN EJECTOR LATCH
8	.CAM EXTRACTOR
8b	.EJECTOR LATCH
***9	.FOREND
10	.FOREND SPACER
11	.EJECTOR STOP PIN
12	.SCREW-FRD.
13	.SCOPE BASE
14	.SWIVEL ASS'Y.
**15	.FRAME
**16	.JOINT PIN
17	.RELEASE LEVER
18	.FIRING PIN
19	.SPRING-FIRING PIN
20	.RELEASE LEVER PIN
**21	.BARREL CATCH

ILL. NO.	PART NAME
22	.STRIKER
23	.LIFTER SPRING
24	.N/A
*25	.HAMMER
26	.HAMMER SPRING
27	.TRIGGER GRD. PIN
28	.TRIGGER GRD.
29	.BARREL CATCH SPRING
*30	.TRIGGER
31	.TRIG. EXTEN PIN
*32	.TRIG EXTENSION
33	.SPRING TRIGGER
34	.HMR, TRIG & CTCH PIN
35	.VIEW HOLE PIN
***36	.STOCK
37	.SCREW TANG
38	.WASHER TANG SCREW
39	.RECOIL PAD
40	.SCREW-BUTT PLATE
*41	.TRIGGER GUARD ASS'Y.
**42	.BRL. CATCH STRIKER ASS'Y.
43	.SCREW-FOREND SPCR.
44	.HAMMER EXTENSION (NOT SHOWN)

ILL. NO.	PART NAME	ULTRA HUNTER RIFLE SB2-823 223 REM	ULTRA HUNTER RIFLE SB2-840 243 WIN	ULTRA HUNTER RIFLE SB2-806 25-06 REM	ULTRA HUNTER RIFLE SB2-808 308 WIN	ULTRA HUNTER RIFLE SB2-866 30/06 SPRG.
**1	BARREL	R03190	R03189	R01140	R01121	R03142
2	N/A	N/A	N/A	N/A	N/A	N/A
3	SPRING EJECTOR	N/A	N/A	N/A	N/A	N/A
4	N/A	N/A	N/A	N/A	N/A	N/A
5	EXTRACTOR	R03828	R03686	R03686	R03686	R03686
5b	EJECTOR	N/A	N/A	N/A	N/A	N/A
6	EXTRACTOR SPRING	R03445	R03445	R03445	R03445	R03445
6b	SPRING EJECTOR LATCH	N/A	N/A	N/A	N/A	N/A
7	PIN EJECTOR LATCH	S01676	S01676	S01676	S01676	S01676
8	CAM EXTRACTOR	R03351	R03351	R03351	R03351	R03351
8b	EJECTOR LATCH	N/A	N/A	N/A	N/A	N/A
***9	FOREND	R01146	R01146	R01146	R01146	R01146
10	FOREND SPACER	S01201	S01201	S01201	S01201	S01201
11	EJECTOR STOP PIN	S01677	S01677	S01677	S01677	S01677
12	SCREW FRD.	S01279	S01279	S01279	S01279	S01279
13	SCOPE BASE	R00503	R00503	R00503	R00503	R00503
14	SWIVEL ASS'Y.	S01851	S01851	S01851	S01851	S01851
**15	FRAME	R02198	R02198	R02198	R02198	R02198
**16	JOINT PIN	S01207	S01207	S01207	S01207	S01207
17	RELEASE LEVER	S01203	S01203	S01203	S01203	S01203
18	FIRING PIN	R00266	R00266	R00266	R00266	R00266
19	SPRING-FIRING PIN	S01697	S01697	S01697	S01697	S01697
20	RELEASE LEVER PIN	S02161	S02161	S02161	S02161	S02161
21	BARREL CATCH	S03643	S03643	S03643	S03643	S03643
22	STRIKER	S02043	S02043	S02043	S02043	S02043
23	LIFTER SPRING	S01693	S01693	S01693	S01693	S01693
24	N/A	N/A	N/A	N/A	N/A	N/A
*25	HAMMER	S01202	S01202	S01202	S01202	S01202
26	HAMMER SPRING	S01691	S01691	S01691	S01691	S01691
27	TRIGGER GRD. PIN	S01670	S01670	S01670	S01670	S01670
28	TRIGGER GRD.	S01204	S01204	S01204	S01204	S01204
29	BARREL CATCH SPRING	S04006	S04006	S04006	S04006	S04006
*30	TRIGGER	S01205	S01205	S01205	S01205	S01205
31	TRIG EXTEN PIN	S01191	S01191	S01191	S01191	S01191
*32	TRIG EXTENSION	S01221	S01221	S01221	S01221	S01221
33	SPRING TRIGGER	S04005	S04005	S04005	S04005	S04005
34	HMR, TRIG & CTCH PIN	S02160	S02160	S02160	S02160	S02160
35	VIEW HOLE PIN	S03636	S03636	S03636	S03636	S03636
***36	STOCK	R02302	R02302	R02302	R02302	R02302
37	SCREW TANG	S01723	S01723	S01723	S01723	S01723
38	WASHER TANG SCREW	S01755	S01755	S01755	S01755	S01755
39	RECOIL PAD	S00423	S00423	S00423	S00423	S00423
40	SCREW-BUTT PLATE	S01722	S01722	S01722	S01722	S01722
*41	TRIGGER GUARD ASS'Y.	S02197	S02197	S02197	S02197	S02197
**42	BRL. CATCH STRIKER ASS'Y.	S02042	S02042	S02042	S02042	S02042
43	SCREW-FOREND SPCR.	S00146	S00146	S00146	S00146	S00146
44	HAMMER EXTENSION	S01461	S01461	S01461	S01461	S01461

ILL. NO.	PART NAME	ULTRA HUNTER RIFLE SB2-877 270 WIN	ULTRA VARMINT RIFLE SS1-822 22 WMR	ULTRA VARMINT RIFLE SB2-833 223 REM	ULTRA VARMINT RIFLE SB2-843 243 WIN
**1	BARREL	R03429	R02811	R02678	R02677
2	N/A	N/A	N/A	N/A	N/A
3	SPRING EJECTOR	N/A	S01695	N/A	N/A
4	N/A	N/A	N/A	N/A	N/A
5	EXTRACTOR	R03686	N/A	R03828	R03686
5b	EJECTOR	N/A	R02809	N/A	N/A
6	EXTRACTOR SPRING	R03445	N/A	R03445	R03445
6b	SPRING EJECTOR LATCH	N/A	S01696	N/A	N/A
7	PIN EJECTOR LATCH	S01676	S01676	S01676	S01676
8	CAM EXTRACTOR	R03351	N/A	R03351	R03351
8b	EJECTOR LATCH	N/A	S01208	N/A	N/A
***9	FOREND	R01146	R01146	R01146	R01146
10	FOREND SPACER	S01201	S01201	S01201	S01201
11	EJECTOR STOP PIN	S01677	S01677	S01677	S01677
12	SCREW FRD.	S01279	S01279	S01279	S01279
13	SCOPE BASE	R00503	R01331	R00503	R00503
14	SWIVEL ASS'Y.	S01851	S01851	S01851	S01851
**15	FRAME	R02198	R02807	R02198	R02198
**16	JOINT PIN	S01207	S01207	S01207	S01207
17	RELEASE LEVER	S01203	S01203	S01203	S01203
18	FIRING PIN	R00266	R03341	R00266	R00266
19	SPRING-FIRING PIN	S01697	S01697	S01697	S01697
20	RELEASE LEVER PIN	S02161	S02161	S02161	S02161
**21	BARREL CATCH	S03643	S03643	S03643	S03643
22	STRIKER	S02043	S02043	S02043	S02043
23	LIFTER SPRING	S01693	S01693	S01693	S01693
24	N/A	N/A	N/A	N/A	N/A
*25	HAMMER	S01202	S01202	S01202	S01202
26	HAMMER SPRING	S01691	S01691	S01691	S01691
27	TRIGGER GRD. PIN	S01670	S01670	S01670	S01670
28	TRIGGER GRD.	S01204	S01204	S01204	S01204
29	BARREL CATCH SPRING	S04006	S04006	S04006	S04006
*30	TRIGGER	S01205	S01205	S01205	S01205
31	TRIG EXTEN PIN	S01191	S01191	S01191	S01191
*32	TRIG EXTENSION	S01221	S01221	S01221	S01221
33	SPRING TRIGGER	S04005	S04005	S04005	S04005
34	HMR, TRIG & CTCH PIN	S02160	S02160	S02160	S02160
35	VIEW HOLE PIN	S03636	S03636	S03636	S03636
***36	STOCK	R02302	R02302	R02302	R02302
37	SCREW TANG	S01723	S01723	S01723	S01723
38	WASHER TANG SCREW	S01755	S01755	S01755	S01755
39	RECOIL PAD	S00423	S00423	S00423	S00423
40	SCREW-BUTT PLATE	S01722	S01722	S01722	S01722
*41	TRIGGER GUARD ASS'Y.	S02197	S02197	S02197	S02197
**42	BRL. CATCH STRIKER ASS'Y.	S02042	S02042	S02042	S02042
43	SCREW-FOREND SPCR.	S00146	S00146	S00146	S00146
44	HAMMER EXTENSION	S01461	S01461	S01461	S01461



Harrington &
Richardson

Manufactured by: H&R 1871, LLC • 60 Industrial Rowe, Gardner, MA 01440 U.S.A. • www.hr1871.com