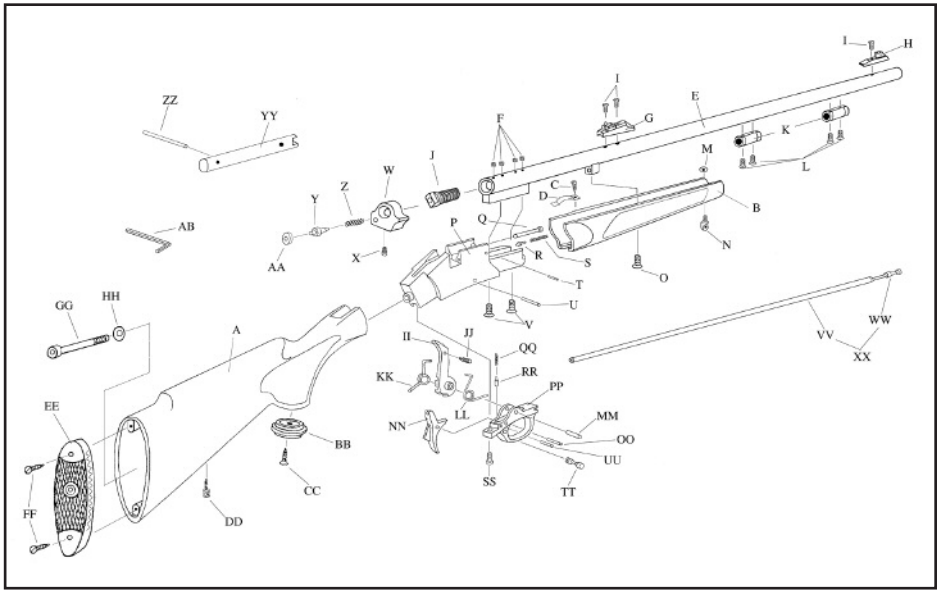


Remington Genesis™ Exploded View and Parts List



Reference	Description	Reference	Description
A	Rear Stock (AW Composite) (Finished)	Z	Firing Pin Spring
B	Fore Stock (AW Composite) (Finished)	AA	Firing Pin Retainer
C	Ramrod Retaining Spring Screw.	BB	Pistol Grip Cap
D	Ramrod Retaining Spring	CC	Pistol grip Cap Screw
E	Barrel Assembly (Kit) (Length 28") .50 cal. perc. (twist 1-28")	DD	Sling Swivel Stud-Rear
	Barrel Assembly (Finished) (Length 28") .50 cal. perc. Blued (twist 1-28")	EE	Buttpad
F	Plug Screw (4)	FF	Buttpad Screw (2)
G	Rear Sight	GG	Tang Screw
H	Front Sight	HH	Tang Screw Washer
I	Rear and Front Sights Screw (3)	II	Hammer
J	Breech Plug (inox)	JJ	Hammer Handle
K	Ramrod Thimble (2)	KK	Hammer Mainspring
L	Ramrod Thimble Screw (4)	LL	Hammer Antagonist Spring
M	Sling Swivel Stud – Front nut	MM	Hammer Pin
N	Sling Swivel Stud – Front	NN	Trigger
O	Forend Stock Screw	OO	Trigger Pin
P	Frame (Aluminum)(Blued)	PP	Trigger Guard
Q	Breech Block Pin	QQ	Trigger Guard Spring
R	Clic – Breech Block	RR	Pin
S	Clic - Breech Block Spring	SS	Trigger Guard Screw
T	Clic Pin	TT	Safety
U	Trigger Guard Pin	UU	Safety Pin
V	Frame-Barrel Screw (2)	VV	Ramrod 28" (Aluminum)
W	Breech Block	WW	Ramrod Tip .50 Cal (Aluminum)
X	Breech Block Screw	XX	Ramrod Assembly
Y	Firing Pin	YY	Wrench
		ZZ	Wrench Handle
		AB	Allen Wrenc