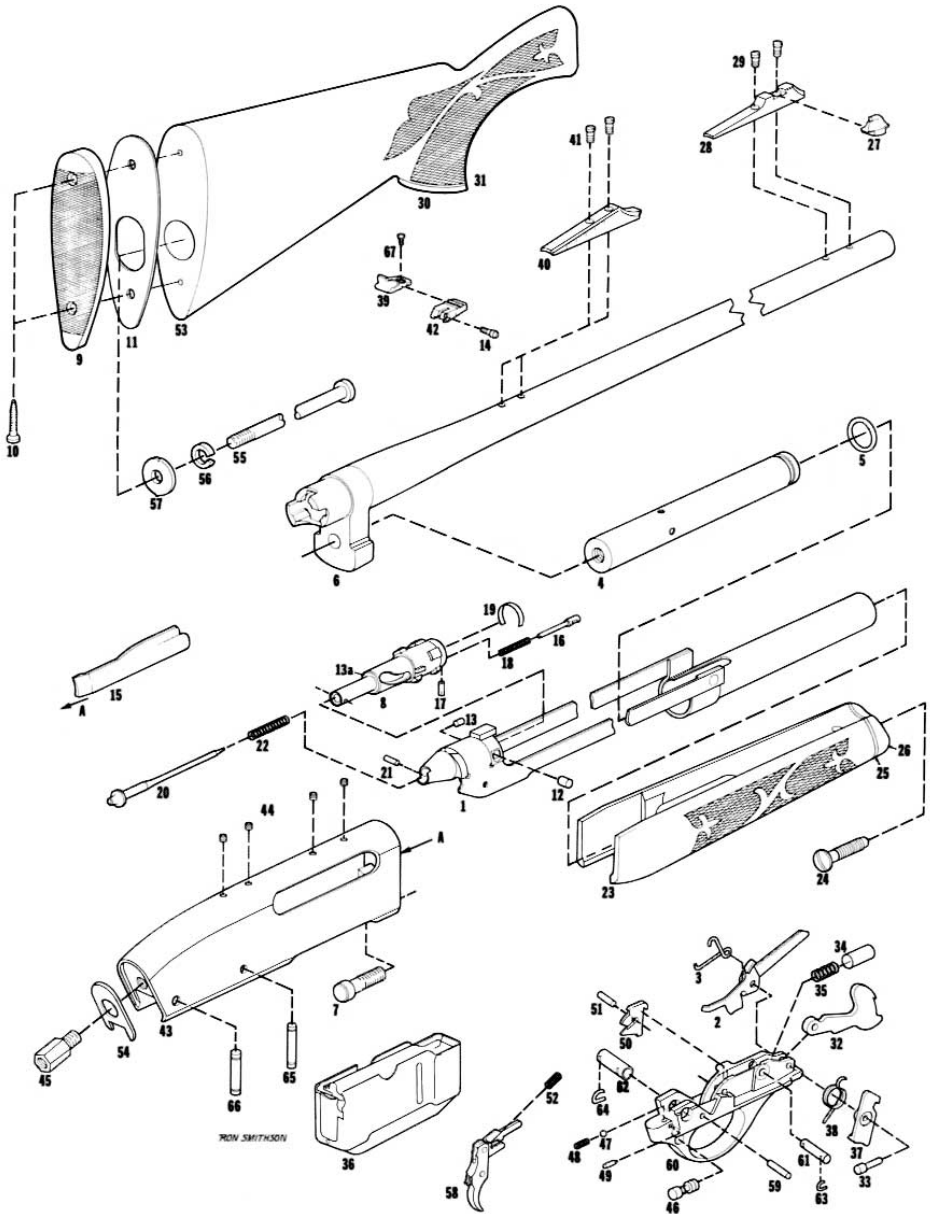


MODEL 7600™

Pump Action Centerfire Rifle



MODEL 7600™

Pump Action Centerfire Rifle

PARTS LIST

VIEW # PART NAME

NOTE: Basic .30-06 Caliber listed below.
See Exploded View for proper identification of parts.

1	Action Bar Assembly
2	Action Bar Lock
3	Action Bar Lock Spring
4	Action Tube Assembly
5	Action Tube Ring
6	Barrel Assembly
7	Barrel Extension Bolt
8	Breech Bolt
9	Butt Plate Frame (New Style not Shown)
10	Butt Plate Frame Screw
	Butt Plate Insert (Not Shown)
	Butt Plate Insert Screw
12	Cam Pin (Large)
13	Cam Pin (Small)
14	Elevation Screw
15	Ejector Port Cover
16	Ejector
17	Ejector Retaining Pin
18	Ejector Spring
19	Extractor
20	Firing Pin
21	Firing Pin Retaining Pin
22	Firing Pin Retracting Spring
23	Fore-End Assembly
24	Fore-End Screw
25	Fore-End Spacer
26	Fore-End Tip
27	Front Sight
28	Front Sight Ramp
29	Front Sight Ramp Screw
30	Grip Cap
32	Hammer
33	Hammer Pin
34	Hammer Plunger
35	Hammer Spring
36	Magazine Assembly

VIEW # PART NAME

NOTE: Parts subject to change without notice
FOB Ilion, New York.

37	Magazine Latch
38	Magazine Latch Spring
39	Rear Sight Aperture
40	Rear Sight Base
41	Rear Sight Base Screw
42	Rear Sight Slide
43	Receiver
	Receiver Assembly
	Receiver Insert
44	Receiver Plug Screw
45	Receiver Stud
46	Safety Mechanism
47	Safety Mechanism Detent Ball
48	Safety Mechanism Spring
49	Safety Mechanism Spring Retaining Pin
50	Sear
51	Sear Pin
52	Sear Spring
53	Stock
	Stock Assembly
54	Stock Bearing Plate
55	Stock Bolt
56	Stock Bolt Lock Washer
57	Stock Bolt Washer
58	Trigger Assembly
59	Trigger Pin
60	Trigger Plate
	Trigger Plate Assembly
61	Trigger Plate Pin Bushing, Front
62	Trigger Plate Pin Bushing, Rear
63	Trigger Plate Pin Detent Spring, Front
64	Trigger Plate Pin Detent Spring, Rear
65	Trigger Plate Pin, Front
66	Trigger Plate Pin, Rear
67	Windage Screw