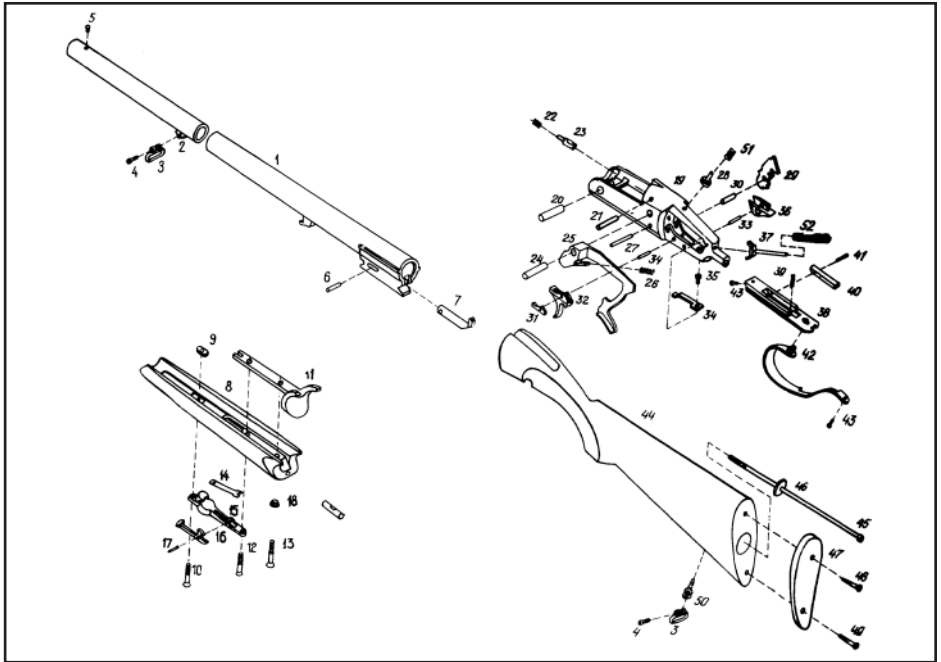


PARTS LIST

Model SPR100 Exploded View

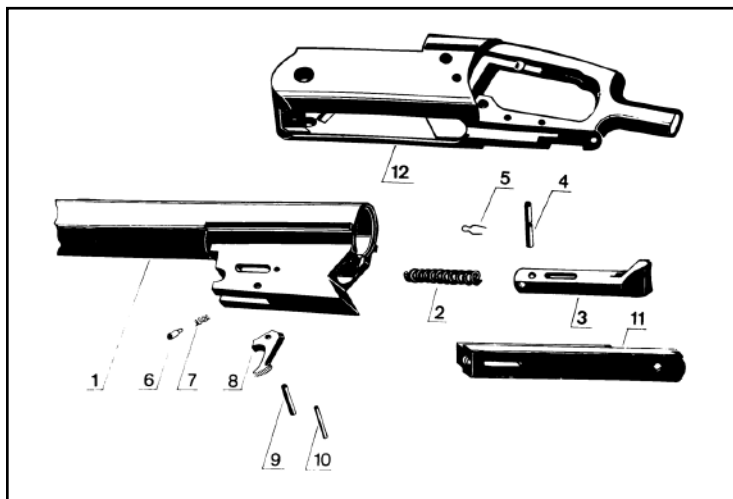


- | | | |
|----------------------|------------------------------|---------------------------------|
| 1. barrel with hook | 19. receiver | 37. pusher |
| 2. sling swivel base | 20. hinge pin | 38. base plate |
| 3. sling swivel ring | 21. firing pin dowel | 39. locking level detent spring |
| 4. pin | 22. firing pin spring | 40. locking lever detent |
| 5. front sight | 23. firing pin | 41. locking lever detent pin |
| 6. extractor pin | 24. locking lever pin | 42. trigger guard |
| 7. extractor | 25. locking lever | 43. trigger guard screw |
| 8. forend | 26. locking lever spring | 44. stock |
| 9. forend nut | 27. locking lever spring pin | 45. screw |
| 10. hinge screw | 28. indicator | 46. washer |
| 11. forend hinge | 29. hammer | 47. butt plate |
| 12. hinge screw | 30. hammer pin | 48. woodscrew |
| 13. hinge screw | 31. sear | 49. woodscrew |
| 14. spring | 32. trigger | 50. stock sling swivel base |
| 15. catch housing | 33. trigger pin | 51. indicator spring |
| 16. forend catch | 34. trigger spring | 52. mainspring |
| 17. pin | 35. trigger spring screw | |
| 18. forend bushing | 36. safety | |

MODEL 100 EXPLODED VIEW ENLARGED

Model 100

1. barrel with hook
2. extractor spring
3. extractor
4. extractor pin
5. pin retainer
6. plunger
7. plunger spring
8. extractor sear
9. extractor sear pin
10. supporting pin
11. base plate
12. receiver



Choke Tubes

WARNING

Never install or remove choke tubes while the firearm is loaded. Only install or remove choke tubes with the firearm unloaded, the action open and the trigger block safely engaged.

Screw in Chokes Symbols/Markings (This is an option – not all Model 100 shotguns have this feature)

The end of the choke tubes are marked with slashes to identify the choke construction:

- / - Full
- // - Improved Modified
- /// - Modified
- //// - Improved Cylinder
- Cl - Cylinder

WARNING

MAKE SURE YOU FULLY TIGHTEN THE CHOKE TUBE.

Shooting with a loose choke tube can cause damage to your shotgun.